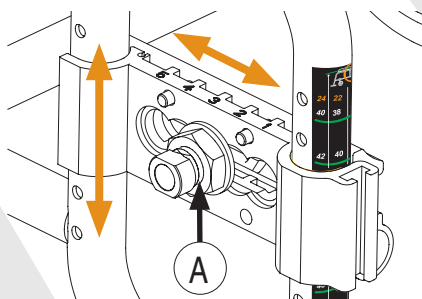


Overview of the most common adjustments, complete overview in the user manual

Seat height back

- Remove the driving wheel. Loosen screw (A) with a 27 mm wrench and unscrew it until it stops.
- Pull the inner and outer wheel block slightly apart.
- Adjust the wheel block step-by-step up or down and read the seat height on the scale. Squeeze the inner and outer wheel block together.
- It is **important** that the pins in the wheel block go into the holes in the frame, and that the casing lies horizontally in the track before tightening the screw.

24	22	20
40	38	36
42	40	38
44	42	40
46	44	42
48	46	44

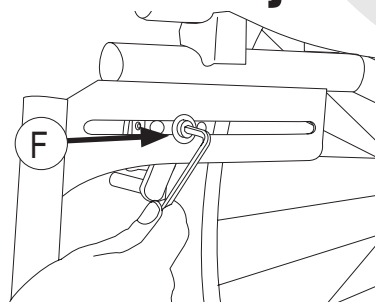


Centre of gravity

5 4 3 2 1

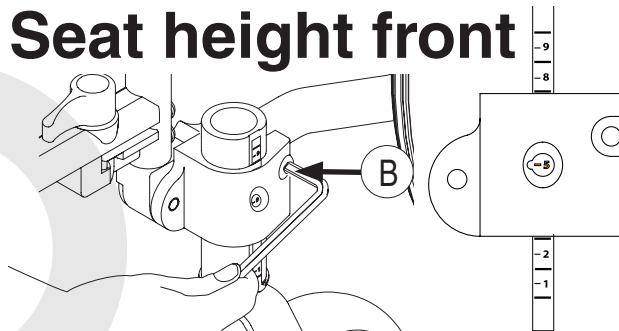
The scale shows five different positions of the driving wheel in relation to the centre of gravity. 1 represents the best anti-tipping position.

- Remove the driving wheel. Loosen screw (A) with a 27 mm wrench and unscrew it until it stops. Adjust the casing of the driving wheel forward or back.
- It is important that the pins in the wheel block go into the holes in the frame, and that the casing lies horizontally in the track before tightening the screw.



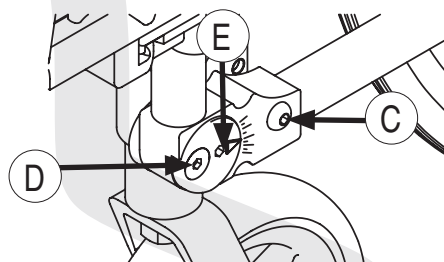
- Loosen screw (F) with a 4 mm Allen key.
- Move the entire brake along the track to the desired position.

Seat height front



- Loosen screw (B) with a 5 mm Allen key. Adjust to the desired height. Tighten the screw.

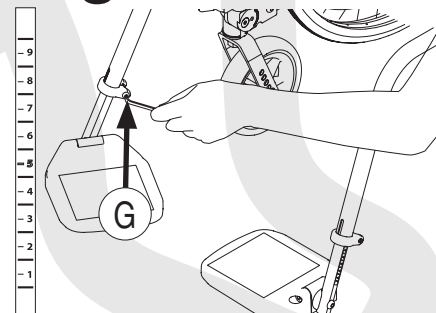
Angle of castor wheel



- Loosen screw (C) slightly, then loosen screw (D). Use a 5 mm Allen key. Place the Allen key into the rotating disk (E) and rotate to the desired angle, see the scale. Tighten screw (C), followed by screw (D).
- Correct angle: Bearing housing (90°) to the base.

Brake adjustment Leg support length

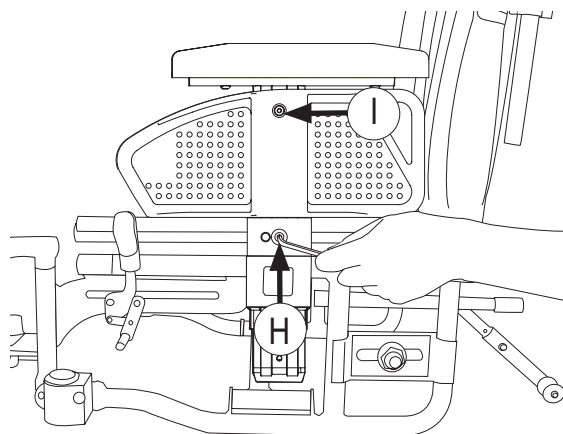
- Loosen fixing screw (G) with a 5 mm Allen key.
- Adjust the leg support to the desired length and re-tighten the screw.



Height of armrest

The measuring scale on the armrest shows the number of cm from the seat to the top of the armrest pad.

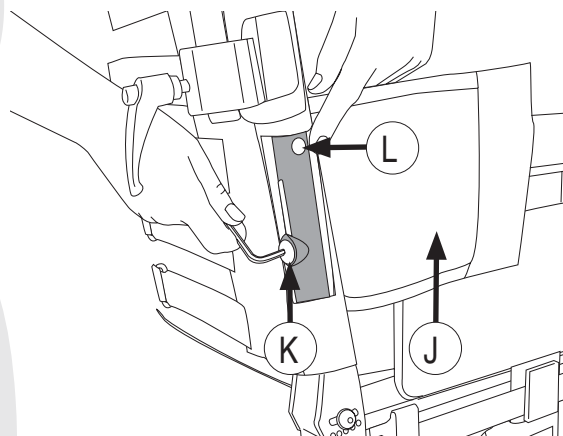
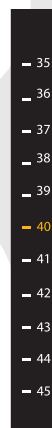
- Loosen screw (H) with a 4 mm Allen key. Raise or lower the armrest to the desired position. See the scale. Re-tighten the screw.
- When the armrest is moved to the desired position, you can move the clothes protector in order to avoid openings to the wheel. Loosen screw (I) with a 4 mm Allen key and push the clothes protector up or down. Re-tighten the screw.



Back height

The measuring scale on the back tubing shows the back height achieved in cm after adjustment.

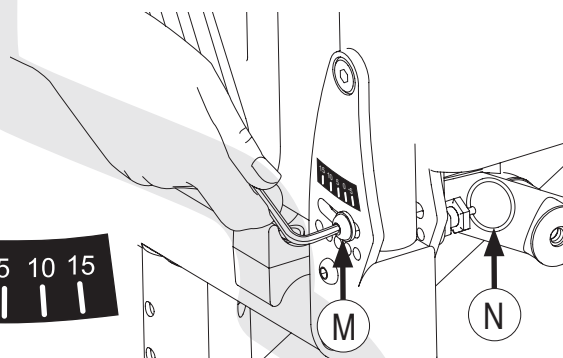
- Open the lid (J) in the back cover.
- Loosen the screw in the back tubing (K) with a 4 mm Allen key.
- Adjust to the desired height. See the measuring scale (L).
- Re-tighten the screw.



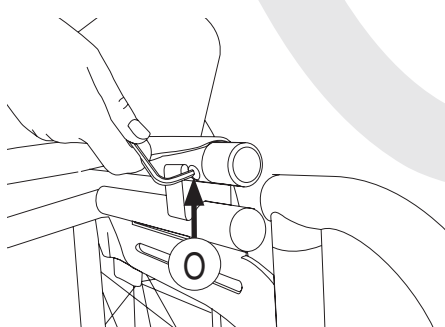
Back angle

The angle of the back can be adjusted from -5° to 15° , in intervals of 5° .

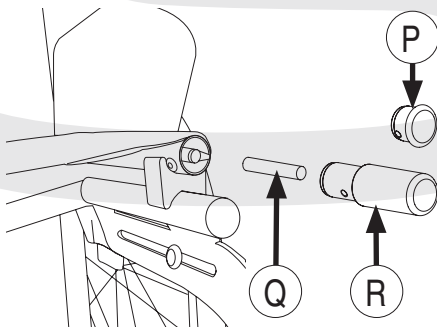
- Loosen screw (M) with a 4 mm Allen key.
- Pull out the lock ring (N), adjust the angle of the back and release the lock ring at the desired angle. See the scale. Re-tighten the screw.



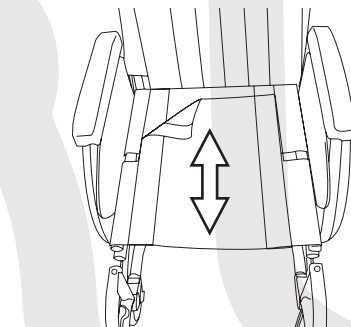
Seat depth



- Unscrew screw (O) with a 3 mm Allen key and remove the plug (P) or seat extension piece (R) at the front edge of the seat tubing. Loosen the overlapping Velcro



in the seat fabric and pull the seat cover forward. Place the plastic tube (Q) into the fold of the seat fabric inside the seat tubing. Assemble the seat extension piece (R). Insert the



- screw (O) and tighten.
- To shorten the seat, remove any seat extension pieces and pull the seat cover backwards.