

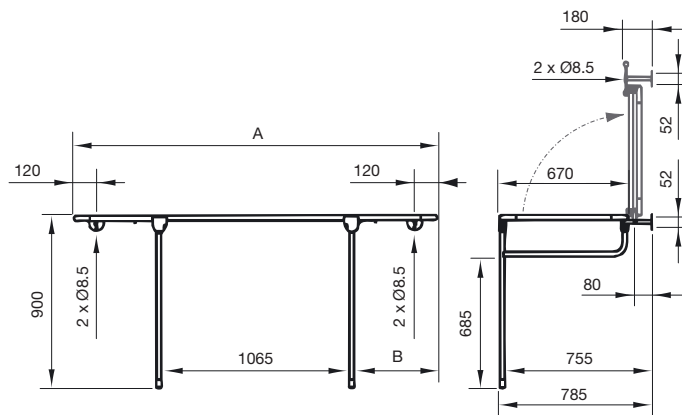
# Bathroom adaptations

LinidoSolutions

## Technical drawings / Shower stretchers

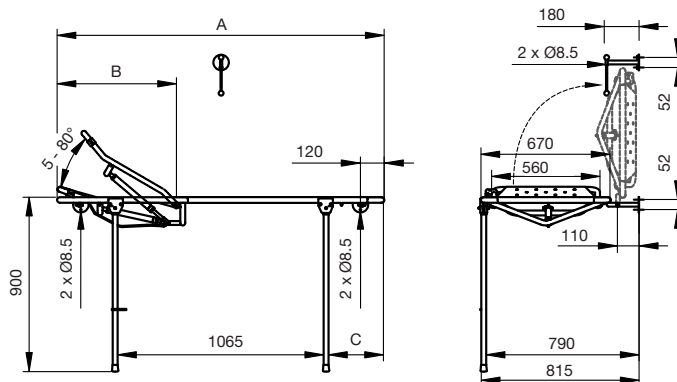
All measurements are in mm. For complete article numbers, please consult the order information document which is available on our website.

### Shower stretcher, flat | Art. no. LI2403.150x-xx -- LI2403.190x-xx



Art. Nr	A	B
LI2403.150	1490	185
LI2403.170	1690	285
LI2403.190	1890	385

### Shower stretcher, adjustable backrest | Art. no. LI2404.150x-xx -- LI2404.190x-xx



Art. Nr	A	B	C
LI2404.150	1490	465	185
LI2404.170	1690	615	285
LI2404.190	1890	615	385

# Bathroom adaptations

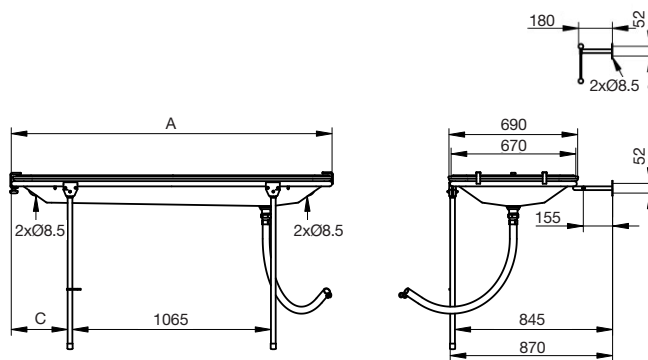
LinidoSolutions

## Technical drawings / Shower stretchers

All measurements are in mm. For complete article numbers, please consult the order information document which is available on our website.

### Shower stretcher, flat, with water reciever and flexible drain hose

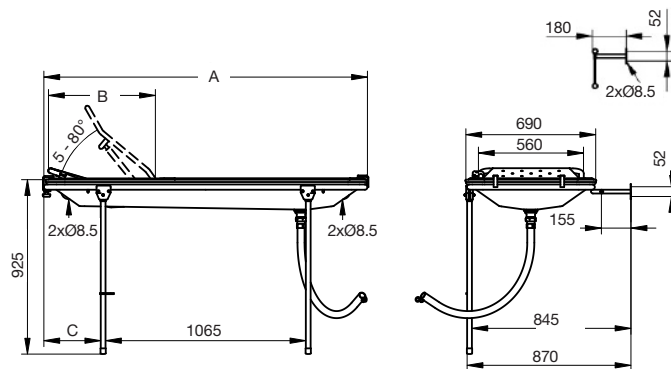
Art. no. LI2407.150x-xx --  
LI2407.190x-xx



Art. Nr	A	B
LI2407.150	1520	200
LI2407.170	1720	300
LI2407.190	1920	400

### Shower stretcher, adjustable backrest, with water reciever and flexible drain hose

Art. no. LI2408.150x-xx --  
LI2408.190x-xx



Art. Nr	A	B	C
LI2408.150	1520	465	200
LI2408.170	1720	615	300
LI2408.190	1920	615	400