

Technical drawings

Commode/shower chair soft seat mobile

Article no:

LI2136.011 - Commode/shower chair soft seat, mobile with closed front and without footrests, 610 mm

LI2136.111 - Commode/shower chair soft seat, mobile with closed front and without footrests, 530 mm

LI2136.021 - Commode/shower chair soft seat, mobile with open front and without footrests, 610 mm

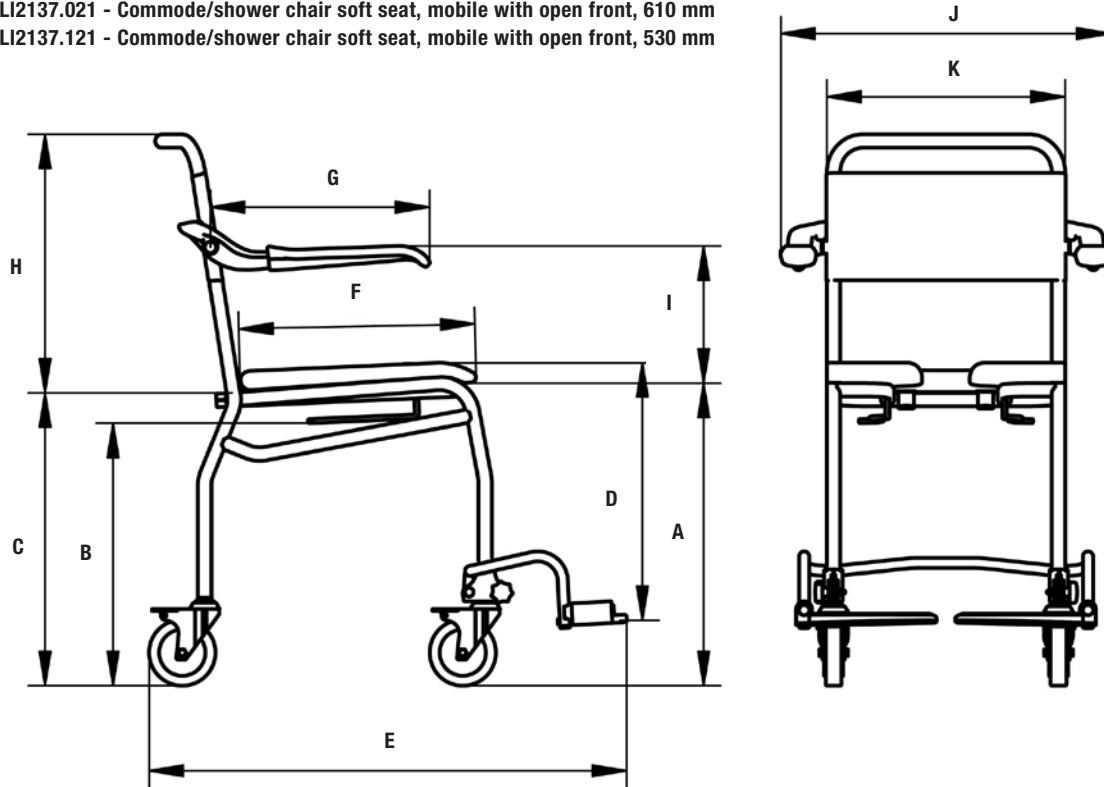
LI2136.121 - Commode/shower chair soft seat, mobile with open front and without footrests, 530 mm

LI2137.011 - Commode/shower chair soft seat, mobile with closed front, 610 mm

LI2137.111 - Commode/shower chair soft seat, mobile with closed front, 530 mm

LI2137.021 - Commode/shower chair soft seat, mobile with open front, 610 mm

LI2137.121 - Commode/shower chair soft seat, mobile with open front, 530 mm



	A	B	C
LI2136.011/LI2136.021 LI2137.011/LI2137.021	570 mm/22.4"	495 mm/19.5"	550 mm/21.7"
LI2136.111/ LI2136.121 LI2137.111/ LI2137.121	490 mm/19.3"	415 mm/16.3"	470 mm/18.5"

	D
LI2137.011/LI2137.021	320-480 mm/12.6"-18.9"
LI2137.111/ LI2137.121	320-400 mm/12.6"-15.7"

	mm	inch
E	900	35.4"
F	450	17.7"
G	415	16.3"
H	490	19.3"
I	250	9.8"
J	625	24.6"
K	450	17.7"