

Bathroom adaptations

LinidoSolutions



LinidoSolutions™
wall mounted bathroom safety aids and accessories
May 2015



Personal matters

Going to the toilet, but also showering and bathing, are very personal matters which people really prefer to do independently for as long as possible.

In order to provide safe independence, for example for users in wheelchairs, the entire design of the bathroom as well as the availability of suitable support and safety equipment must be carefully considered. Also for users with minor difficulties, such as reduced strength and balance, sitting down on and getting up from the toilet can be quite difficult. Taking a bath or a shower can be even more energy-consuming and risky. Simply increasing the height of the toilet or providing a little extra support in the right location can be sufficient to enable these users to visit the toilet independently without compromising safety. Having something sturdy to hold on to or being able to sit securely while showering but also while drying off, dressing and performing other body care activities, provides even further reduction of stress and significantly increases the safety in these daily situations.

Accessible, safe and great-looking bathrooms

LinidoSolutions™ is Handicare's own brand product series for increased independence, safety and comfort in bathrooms, showers and toilet areas in private and public environments as well as in hospitals. LinidoSolutions™ is a wide range of safe, practical, durable and ergonomic aids with modern design; products and accessories creating accessible, safe and, in addition, great-looking bathrooms.

With LinidoSolutions™, everyone can experience the comfort of safety every day.









Content

Product overview

Grab rails.....	6
Arm supports and accessories.....	14
Backrests.....	21
Shower seats and accessories.....	22
Shower stretchers and accessories.....	32
Washbasin adaptations.....	34
Bathroom accessories.....	36
Mounting equipment.....	46

Technical drawings

Technical drawings, all products.....	48
---------------------------------------	----

Inspiration for adaptation projects

Inspiration for adaptation projects.....	59
Private bathrooms.....	60
Resident's bathrooms.....	64
Institutional bathrooms.....	68

General product information

Technical information.....	72
Mounting advice.....	73
About LinidoSolutions™.....	74
More information and support.....	75

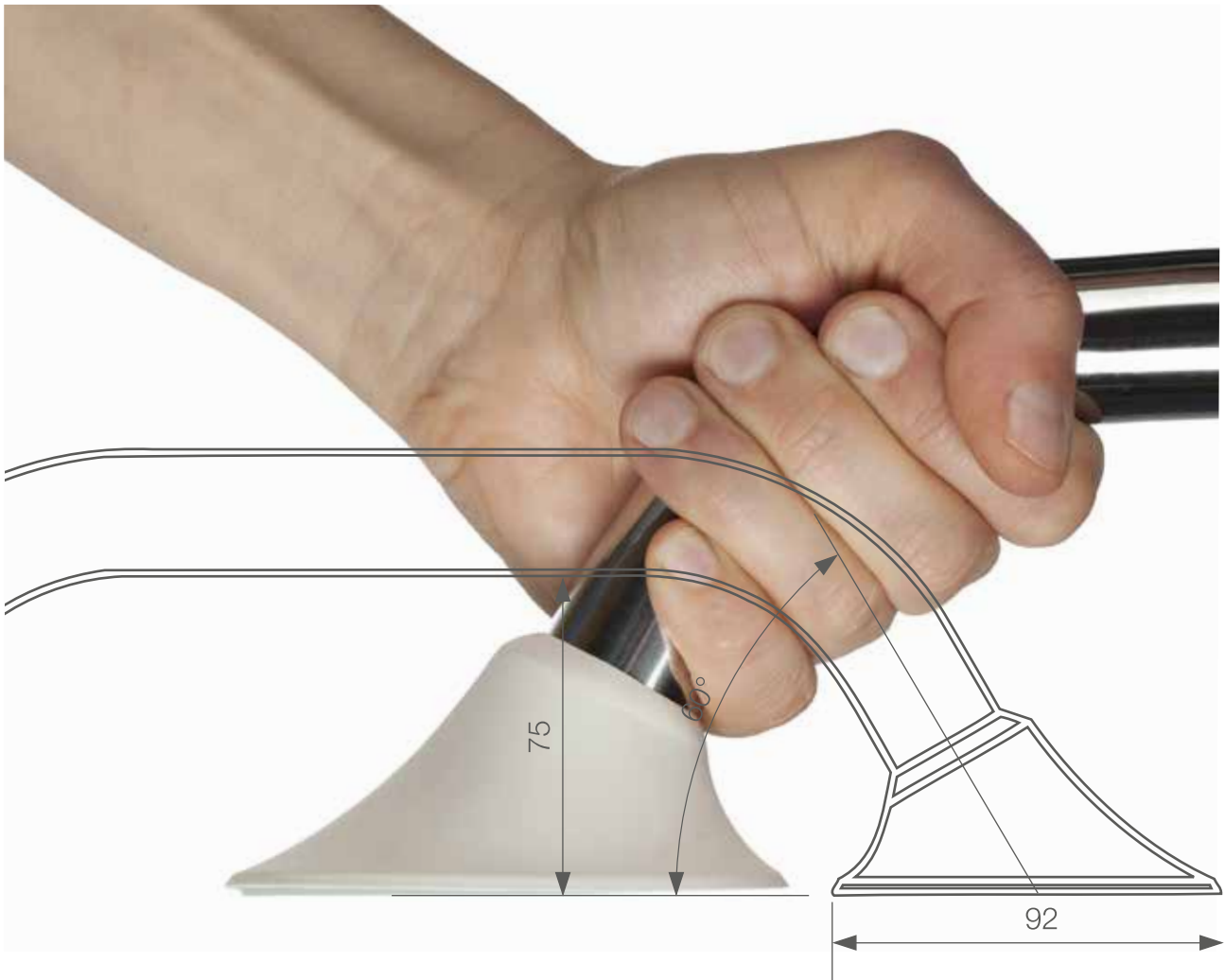
Grab rails

Convenient support
and increased safety
in all locations

Handicare's LinidoSolutions™ grab rails are available in many different models, lengths, materials and colours. They provide secure and reliable support in many critical areas and are great solutions for prevention of accidents in all indoor spaces. A grab rail is a very convenient form of support that can easily be installed in any location and exactly where it is needed; in the bathroom or shower, next to the washbasin or by the toilet, but also in the kitchen, hallway or bedroom. In all locations, the grab rail can be installed in the optimal position for the user; horizontal, vertical or diagonal, to provide a safe and comfortable grip and maximum support.







Ergogrip grab rails

For a unique, ergonomic grip

The LinidoSolutions™ patented Ergogrip grab rails have been specially designed to provide a good, strong and ergonomic grip. These grab rails feature a round tube with an ergonomic diameter, allowing both large and small hands and fingers to wrap around the tube in a firm and secure grip and providing plenty of room for the hand between the tube and the wall. Furthermore, the tube and its unique angle of 60° rather than the conventional 90°, allows the hand and wrist to retain a natural position even while holding the grab rail at the corner. Ergogrip grab rails are available in various straight and angled models and in many different sizes. All models are made from durable steel or stainless steel with plastic (glass fibre reinforced nylon) wall flanges and covers for electrical insulation. They are very easy to install and after installation, the fixing points are covered and concealed for a stylish look and to make the grab rail easy to keep clean. Several colour options, many different combination possibilities and many clever and practical accessories provide for increased versatility and usability for the creation of individually adapted support solutions for different locations and user needs.



Grab rails

Ergogrip straight grab rails

LinidoSolutions™ Ergogrip straight grab rails are available in many different lengths and in several materials and colours; coated steel and coated stainless steel (white/black/red/blue/cream) and polished stainless steel with white or black plastic (glass fibre reinforced nylon) flanges and covers.

Ergogrip 200 through to Ergogrip 1400 all feature two flanges and comprise of a single length of uninterrupted rail allowing the hand to slide along the rail during movement or transfer. The longer grab rails feature three flanges for secure wall mounting and distribution of load. The shortest grab rail, Ergogrip 200, is ideal when the exact location for where the support is needed is known or when space is limited. Ergogrip 200 is also particularly well suited for diagonal installation.

For increased usability, most lengths of Ergogrip straight grab rail can be fitted with a toilet roll holder, which is available as an accessory. Ergogrip straight grab rails can also be fitted with a vertical combination grab rail and/or a shower head holder to be used as sturdy and safe shower rails.



Art. No.	Product name	Description	Unit
LI2611.020x-xx	Ergogrip 200	Straight grab rail with 2 flanges, grip length 180 mm	1 Pce
LI2611.030x-xx	Ergogrip 300	Straight grab rail with 2 flanges, grip length 300 mm	1 Pce
LI2611.040x-xx	Ergogrip 400	Straight grab rail with 2 flanges, grip length 400 mm	1 Pce
LI2611.050x-xx	Ergogrip 500	Straight grab rail with 2 flanges, grip length 500 mm	1 Pce
LI2611.060x-xx	Ergogrip 600	Straight grab rail with 2 flanges, grip length 600 mm	1 Pce
LI2611.070x-xx	Ergogrip 700	Straight grab rail with 2 flanges, grip length 700 mm	1 Pce
LI2611.080x-xx	Ergogrip 800	Straight grab rail with 2 flanges, grip length 800 mm	1 Pce
LI2611.090x-xx	Ergogrip 900	Straight grab rail with 2 flanges, grip length 900 mm	1 Pce
LI2611.100x-xx	Ergogrip 1000	Straight grab rail with 2 flanges, grip length 1000 mm	1 Pce
LI2611.120x-xx	Ergogrip 1200	Straight grab rail with 2 flanges, grip length 1200 mm	1 Pce
LI2611.140x-xx	Ergogrip 1400	Straight grab rail with 2 flanges, grip length 1400 mm	1 Pce
LI2611.160x-xx	Ergogrip 1600	Straight grab rail with 3 flanges, grip length 1600 mm	1 Pce
LI2611.180x-xx	Ergogrip 1800	Straight grab rail with 3 flanges, grip length 1800 mm	1 Pce
LI2611.200x-xx	Ergogrip 2000	Straight grab rail with 3 flanges, grip length 2000 mm	1 Pce

Accessories

LI2807.0000-00	Wall mounting set	For wall mounting of all Ergogrip straight grab rails, for 2 flanges	1 Set
LI0126.5034-02	Backing plate round	For secure fixing to a weaker wall, for all Ergogrip straight grab rails, for 1 flange	1 Pce
LI2617.0002-03	Toilet roll holder	Stainless steel and black plastic clamp, for Ergogrip 300-2000	1 Pce
LI2618.0006-02	Toilet roll holder single-hand	For single-handed use, white plastic, for Ergogrip 400-2000	1 Pce
LI2611.018x-xx	Ergogrip combination rail S	Vertical combination grab rail, 1108 mm, for Ergogrip 300-2000 positioned as horizontal slide bars	1 Pce
LI2611.019x-xx	Ergogrip combination rail L	Vertical combination grab rail, 1208 mm, for Ergogrip 300-2000 positioned as horizontal slide bars	1 Pce
LI2630.2006-xx	Shower head holder	Plastic, for Ergogrip 300-1400 positioned as vertical slide bars	1 Pce
LI2216.0014-xx	Click-On frame	For hanging of Ergonomic shower seat on Ergogrip 600/700/800/1600	1 Pce
LI2216.0024-xx	Click-On frame	Height-adjustable, for hanging of Ergonomic shower seat on Ergogrip 600/700/800/1600	1 Pce



MAX
150 KG

AVAILABLE
COLOURS:

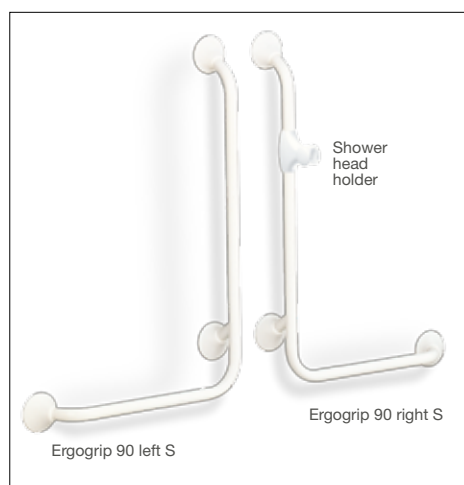


For complete article numbers, please consult the Order information document.

Grab rails

Ergogrip angled grab rails

Ergogrip angled grab rails are available in two models and several variants and sizes. The 45° grab rail, which is available in two sizes, is recommended for installation next to the toilet or bath where the diagonal part offers support when standing up while the horizontal part offers support when sitting down. For increased usability, a toilet roll holder, which is available as an accessory, can be attached to the horizontal part. The 90° grab rail, which is available in left and right angled variants and in two sizes, provides a great support solution in the shower or bath, but it can also be used for support next to the toilet. The shorter horizontal part offers support when standing and during transfers while the longer vertical part offers support as well as the function of a slide bar for a shower head holder, which is available as an accessory. LinidoSolutions™ Ergogrip angled grab rails are available in several materials and colours; coated steel and coated stainless steel (white/black/red/blue/cream) and polished stainless steel with white or black plastic (glass fibre reinforced nylon) flanges and covers.



Art. No.	Product name	Description	Unit
LI2611.007x-xx	Ergogrip 45 S	Angled grab rail with 2 flanges, 45°, grip length 200 x 200 mm	1 Pce
LI2611.008x-xx	Ergogrip 45 L	Angled grab rail with 2 flanges, 45°, grip length 400 x 400 mm	1 Pce
LI2611.003x-xx	Ergogrip 90 left S	Left angled grab rail with 3 flanges, 90°, grip length 500 x 1000 mm	1 Pce
LI2611.004x-xx	Ergogrip 90 right S	Right angled grab rail with 3 flanges, 90°, grip length 500 x 1000 mm	1 Pce
LI2611.023x-xx	Ergogrip 90 left L	Left angled grab rail with 3 flanges, 90°, grip length 560 x 1130 mm	1 Pce
LI2611.024x-xx	Ergogrip 90 right L	Right angled grab rail with 3 flanges, 90°, grip length 560 x 1130 mm	1 Pce

Accessories

LI2807.0000-00	Wall mounting set	For wall mounting of all Ergogrip angled grab rails, for 2 flanges	1 Set
LI0126.5034-02	Backing plate round	For secure fixing to a weaker wall, for all Ergogrip angled grab rails, for 1 flange	1 Pce
LI2617.0002-03	Toilet roll holder	Stainless steel and black plastic clamp, for all Ergogrip angled grab rails	1 Pce
LI2618.0006-02	Toilet roll holder single-hand	For single-handed use, white plastic, for all Ergogrip angled grab rails	1 Pce
LI2630.2006-xx	Shower head holder	Plastic, for all variants of Ergogrip 90	1 Pce
LI2216.0014-xx	Click-On frame	For hanging of Ergonomic shower seat on Ergogrip 90 left L/right L	1 Pce
LI2216.0024-xx	Click-On frame	Height-adjustable, for hanging of Ergonomic shower seat on Ergogrip 90 left L/right L	1 Pce



MAX 150 KG

AVAILABLE COLOURS:



For complete article numbers, please consult the Order information document.



Ergogrip corner S



Ergogrip combination rail S

Ergogrip corner and combination grab rails

LinidoSolutions™ Ergogrip corner is an angled horizontal grab rail for two walls available in two sizes. The design allows for positioning both left and right in a corner with two walls which are at right angles to each other.

LinidoSolutions™ Ergogrip combination rail is a vertical combination grab rail with a strong connection block at one end. The combination rail, which is available in two lengths, is used in combination with Ergogrip corner or an Ergogrip straight grab rail positioned as a horizontal slide bar. For a perfect fit in any shower area, the vertical combination rail can be positioned anywhere along the horizontal rail. When fitted with a shower head holder, which is available as an accessory, Ergogrip combination rail functions both as a sturdy and safe support and as a shower rail for standing and sitting users. Ergogrip corner can also be used in combination with a removeable frame for hanging of an Ergonomic shower seat. This combination conveniently provides a safe and comfortable place for the user to sit in the shower and is an ideal solution when several users use the same shower area.

Ergogrip corner and combination grab rails are available in several materials and colours; coated steel and coated stainless steel (white/black/red/blue/cream) and polished stainless steel with white or black plastic (glass fibre reinforced nylon) flanges and covers. The plastic connection block on Ergogrip combination rail is available in neutral white colour only.



Ergogrip corner S with Ergogrip combination rail S

Art. No.	Product name	Description	Unit
LI2611.015x-xx	Ergogrip corner S	Horizontal grab rail for two walls, 3 flanges, grip length 600 x 600 mm	1 Pce
LI2611.025x-xx	Ergogrip corner L	Horizontal grab rail for two walls, 3 flanges, grip length 600 x 900 mm	1 Pce
LI2611.018x-xx	Ergogrip combination rail S	Vertical combination rail, 1 flange, grip length 1108 mm, for Ergogrip corner S/L and Ergogrip 300-2000	1 Pce
LI2611.019x-xx	Ergogrip combination rail L	Vertical combination rail, 1 flange, grip length 1208 mm, for Ergogrip corner S/L and Ergogrip 300-2000	1 Pce

Accessories

LI2807.0000-00	Wall mounting set	For wall mounting of all Ergogrip corner and combination grab rails, for 2 flanges	1 Set
LI0126.5034-02	Backing plate round	For secure fixing to a weaker wall, for all Ergogrip corner and combination grab rails, for 1 flange	1 Pce
LI2630.2006-xx	Shower head holder	Plastic, for Ergogrip combination rail S/L	1 Pce
LI2216.0014-xx	Click-On frame	For hanging of Ergonomic shower seat on Ergogrip corner S/L	1 Pce
LI2216.0024-xx	Click-On frame	Height-adjustable, for hanging of Ergonomic shower seat on Ergogrip corner S/L	1 Pce
LI2617.0002-03	Toilet roll holder	Stainless steel and black plastic clamp, for Ergogrip corner S/L	1 Pce
LI2618.0006-02	Toilet roll holder single-hand	For single-handed use, white plastic, for Ergogrip corner S/L	1 Pce



MAX
150 KG

AVAILABLE
COLOURS:

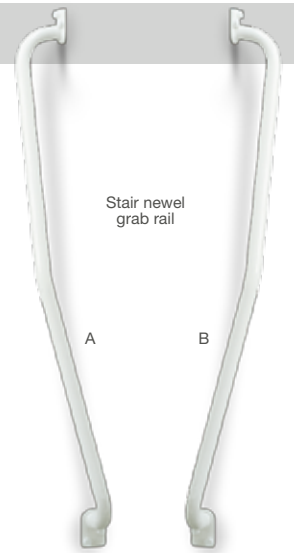


For complete article numbers, please consult the Order information document.

Grab rails

Stair newel grab rails

On spiral staircases it is often difficult to provide support on the newel side. The stair newel grab rails offer support on the newel side of the staircase allowing users to hold onto the continuous rail when going up and down the stairs. As there is often limited space for affixing flanges on the newel, the flanges have been designed to be as small as possible; only 50 mm wide and 80 mm high. The LinidoSolutions™ Stair newel grab rail is available in two variants; for installation on a left side and on a right side stair newel. The grab rails can also be installed in regular staircases and on the external corner of two walls. Stair newel grab rails are available in several materials and colours; coated steel and coated stainless steel (white/black/red/blue/cream) and polished stainless steel. All variants of Stair newel grab rail are supplied complete with Insulation set M6 x 4 (LI2860.0000-00), which provides for electrical insulation and covering of fixing points.



Art. No.	Product name	Description	Unit
LI2611.011x-xx	Stair newel grab rail A	For right side stair newel or external corner of two walls, 2 flanges, grip length 510 x 510 mm	1 Pce
LI2611.012x-xx	Stair newel grab rail B	For left side stair newel or external corner of two walls, 2 flanges, grip length 510 x 510 mm	1 Pce

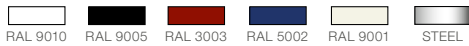
Accessories

LI2807.0000-00	Wall mounting set	For wall mounting of all variants of Stair newel grab rail, for 2 flanges	1 Set
LI2860.0000-00	Insulation set M6 x 4	For electrical insulation and covering of fixing points, spare part for all Stair newel grab rail, for 2 flanges	1 Set



MAX 150 KG

AVAILABLE COLOURS:



For complete article numbers, please consult the Order information document.

Door frame grab rails

Doors are often fitted with doorsteps creating a difference in height. Extra support may be required for a user when crossing such a doorstep but the question is often where such support can be securely installed and still be within easy reach. The LinidoSolutions™ Door frame grab rail has been specially designed to be installed on a door frame; the extremely narrow flange is only 30 mm wide. The grab rail is available in three lengths, all made from coated steel and available in neutral white colour only. All variants of Door frame grab rail are supplied complete with Insulation set M6 x 4 (LI2860.0000-00), which provides for electrical insulation and covering of fixing points.



Art. No.	Product name	Description	Unit
LI2619.0301-02	Door frame grab rail S	2 flanges, total length 300 mm, grip length 215 mm, coated steel, white	1 Pce
LI2619.0451-02	Door frame grab rail M	2 flanges, total length 450 mm, grip length 365 mm, coated steel, white	1 Pce
LI2619.0601-02	Door frame grab rail L	2 flanges, total length 600 mm, grip length 515 mm, coated steel, white	1 Pce

Accessories

LI2807.0000-00	Wall mounting set	For wall mounting of all variants of Door frame grab rail, for 2 flanges	1 Set
LI2860.0000-00	Insulation set M6 x 4	For electrical insulation and covering of fixing points, spare part for all Door frame grab rail, for 2 flanges	1 Set



MAX 150 KG

AVAILABLE COLOURS:





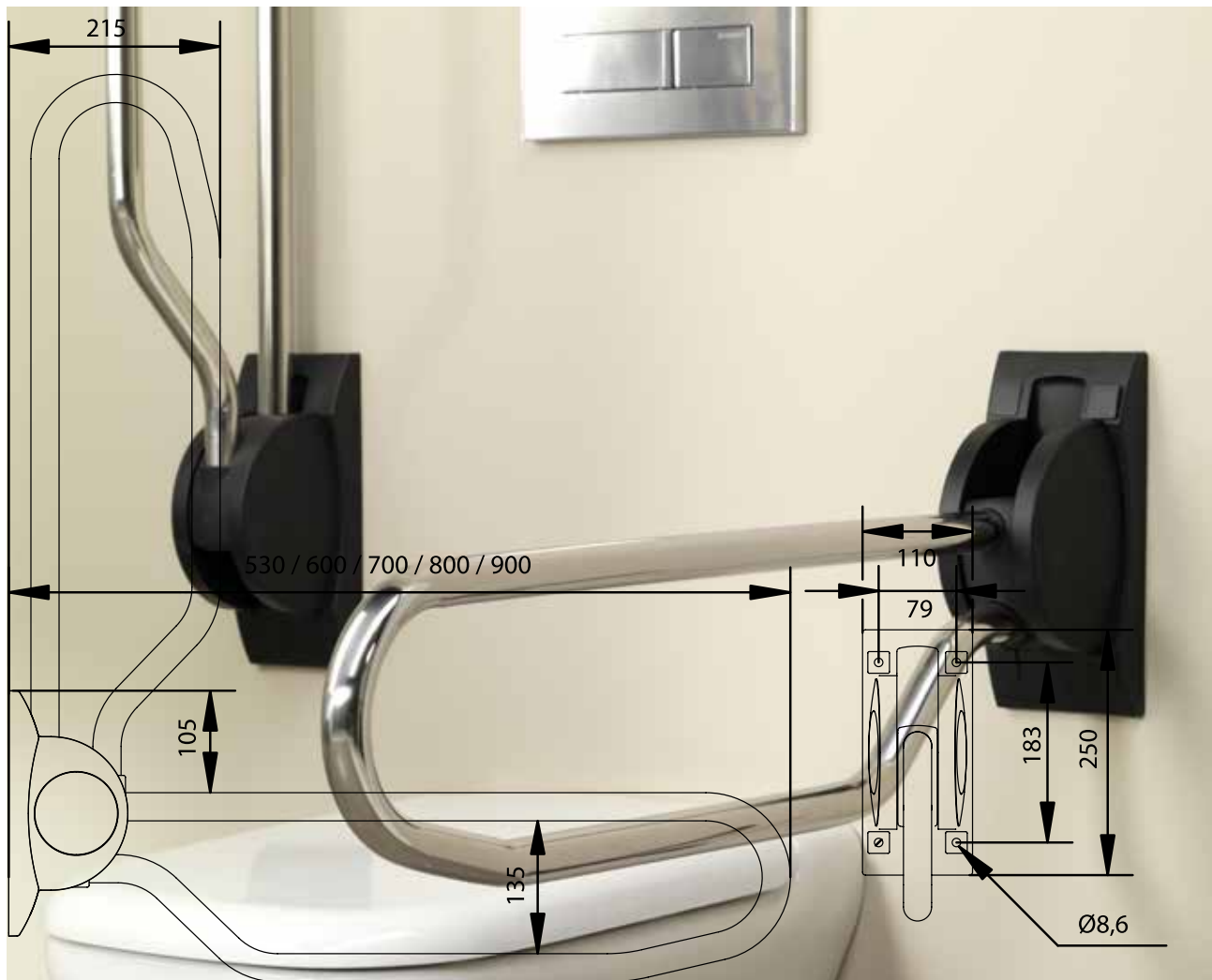


Arm supports

Safe support for increased independence

Going to the toilet is a very private matter and something all people wish to be able to do independently for as long as possible. However, for users with reduced strength and balance, getting up from but also sitting down on the toilet can be difficult. It is a very common problem causing unsafe situations on a daily basis and just a little extra support during these transfers can be sufficient to enable the user to visit the toilet independently and safely. When a grab rail is not enough, or if the toilet is not placed near a side wall, arm supports can be installed on both or either side of the toilet to facilitate transfers as well as to provide support for a sitting or standing user.





LinidoSolutions™ arm supports

For reliable support beside the toilet or in the shower

LinidoSolutions™ arm supports have a high static load capacity, both in the vertical and in the lateral/sideways direction, and provide extremely stable and reliable support both next to the toilet and in the shower. They are available in two models and in several lengths to enable the perfect fit for the depth of any toilet while leaving room enough for the various tasks to be performed. Both models feature a clean design with a looped double tube with a round shape and an ergonomic diameter providing a firm grip for both large and small hands. The looped double tube makes it easier for the user to grip and hold onto the front of the arm support during a forward transfer. This design also prevents clothing from getting caught by the tube. The arm supports are very easy to install. The fixing points are readily accessible and, after installation, the hinge system of the hinged arm supports and the fixing points are covered and concealed for a stylish look and to make the arm support easy to keep clean. The arm supports are made from durable steel or stainless steel. Various colour options, different combination possibilities and many clever and practical accessories provide for increased versatility and usability for the creation of individually adapted support solutions for different locations and user needs.

Hinged arm supports

LinidoSolutions™ Hinged arm support is a folding arm support providing extremely secure support both in the horizontal and in the vertical position. It can be used beside the toilet as well as in the shower. The arm support features a watertight construction and can withstand heavier loads than, for example, the armrests of most shower seats. The arm support is primarily used in the folded-down position, for support when sitting down on or getting up from a toilet or shower seat and for support while standing or while adjusting clothing. The looped double tube makes it easy for the user to reach, grip and hold onto the front of the arm support and prevents the hand from slipping off the rail during a forward transfer. The arm support is securely locked in the horizontal position and, when folded up, the arm support automatically locks to provide reliable support also in the upright, vertical position. In the vertical position, Hinged arm support requires a lot less space while still providing safe and sturdy support. As the user is holding the lower tube, the hand will get a good grip without scratching the fingers on the wall. This position also facilitates sideways transfers, e.g. from a wheelchair to the toilet, as well as cleaning of the toilet room.

LinidoSolutions™ Hinged arm support is available in five different lengths and in several materials and colours; coated steel and coated stainless steel (white/black/red/blue/cream) and polished stainless steel with white or black plastic (glass fibre reinforced nylon) wall plate for electrical insulation. For increased usability, and to provide optimal solutions for users with different needs, the arm supports can be used in combination with a number of different accessories. Depending on the wall structure, we recommend using Hinged arm support in combination with Floor support for arm support, which is available as an accessory.



Art. No.	Product name	Description	Unit
LI2603.350x-xx	Hinged arm support 530	Total length 530 mm, including Cover set LI2826.0036-xx, for covering of fixing points	1 Pce
LI2603.360x-xx	Hinged arm support 600	Total length 600 mm, including Cover set LI2826.0036-xx, for covering of fixing points	1 Pce
LI2603.370x-xx	Hinged arm support 700	Total length 700 mm, including Cover set LI2826.0036-xx, for covering of fixing points	1 Pce
LI2603.380x-xx	Hinged arm support 800	Total length 800 mm, including Cover set LI2826.0036-xx, for covering of fixing points	1 Pce
LI2603.390x-xx	Hinged arm support 900	Total length 900 mm, including Cover set LI2826.0036-xx, for covering of fixing points	1 Pce

Accessories

LI2806.0000-00	Wall mounting set	For wall mounting of all variants of Hinged arm support, for 1 wall plate	1 Set
LI0126.5014-02	Backing plate rectangular	For secure fixing to a weaker wall, for all variants of Hinged arm support, for 1 wall plate	1 Pce
LI2609.2003-02	Front support bar	750 mm, adjustable length, for all variants of Hinged arm support	1 Pce
LI2610.0010-00	Soft armrest	Length 350 mm, for all variants of Hinged arm support	1 Pce
LI2614.300x-xx	Floor support for arm support	Height adjustable, for all variants of Hinged arm support except LI2603.350x-xx	1 Pce
LI2615.3004-xx	Height adjustment system	For all variants of Hinged arm support, for 1 arm support	1 Set
LI2608.000x-xx	Floor console for arm support	For floor mounting, height 1000 mm, for all variants of Hinged arm support	1 Pce
LI2617.0002-03	Toilet roll holder	Stainless steel and black plastic clamp, for all variants of Hinged arm support	1 Pce
LI2618.0006-02	Toilet roll holder single-hand	For single-handed use, white plastic, for all variants of Hinged arm support	1 Pce
LI2826.0036-xx	Cover set	Spare part, for Hinged arm support LI2603.3xxx-xx, for 1 arm support	1 Set



MAX 150 KG
MAX SIDEWAYS
LOAD 100 KG

AVAILABLE
COLOURS:

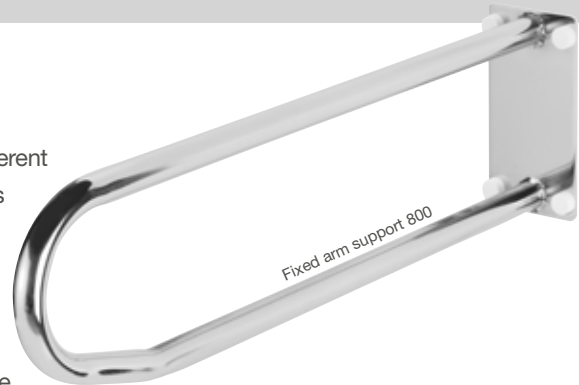


For complete article numbers, please consult the Order information document.

Arm supports

Fixed arm supports

LinidoSolutions™ Fixed arm supports, which are available in five different lengths, provide extremely secure support beside the toilet as well as in the shower. The arm support features a watertight construction and can withstand heavier loads than, for example, the armrests of most shower seats. Fixed arm support is used for support when sitting down on or getting up from a toilet or shower seat and for support while standing or while adjusting clothing. The looped double tube makes it easy for the user to reach, grip and hold onto the front of the arm support and prevents the hand from slipping off the rail during a forward transfer. Fixed arm support is always in the same, horizontal position, which provides some users with an additional sense of security. LinidoSolutions™ Fixed arm support is available in several materials and colours; coated steel and coated stainless steel (white/black/red/blue/cream) and polished stainless steel. All variants of Fixed arm support are supplied complete with Insulation set M8 x 4 (LI2880.0006-02), which provides for electrical insulation and covering of fixing points. For increased usability, and to provide optimal solutions for users with different needs, the arm supports can be used in combination with a number of different accessories.



Art. No.	Product name	Description	Unit
LI2601.050x-xx	Fixed arm support 500	Total length 500 mm	1 Pce
LI2601.060x-xx	Fixed arm support 600	Total length 600 mm	1 Pce
LI2601.070x-xx	Fixed arm support 700	Total length 700 mm	1 Pce
LI2601.080x-xx	Fixed arm support 800	Total length 800 mm	1 Pce
LI2601.090x-xx	Fixed arm support 900	Total length 900 mm	1 Pce

Accessories

LI2806.0000-00	Wall mounting set	For wall mounting of all variants of Fixed arm support, for 1 wall plate	1 Set
LI2880.0006-02	Insulation set M8 x 4	For electrical insulation and covering of fixing points, spare part for all Fixed arm support, for 1 wall plate	1 Set
LI2609.2003-02	Front support bar	750 mm, adjustable length, for all variants of Fixed arm support	1 Pce
LI2610.0010-00	Soft armrest	Length 350 mm, for all variants of Fixed arm support	1 Pce
LI2617.0002-03	Toilet roll holder	Stainless steel and black plastic clamp, for all variants of Fixed arm support	1 Pce
LI2618.0006-02	Toilet roll holder single-hand	For single-handed use, white plastic, for all variants of Fixed arm support	1 Pce



MAX 150 KG
MAX SIDEWAYS
LOAD 100 KG

AVAILABLE
COLOURS:



For complete article numbers, please consult the Order information document.



Arm support accessories

Front support bar

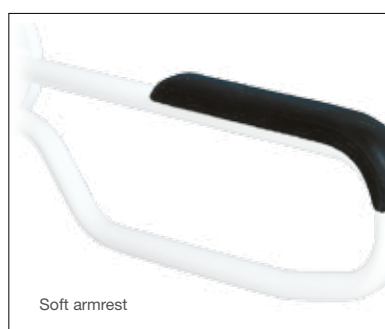
A pair of hinged or fixed arm supports provide support on both sides of the toilet or shower seat, but, for example for unstable users and when a user is leaning forward, many users also benefit from having support at the front. LinidoSolutions™ Front support bar is used in combination with a pair of hinged or fixed arm supports, at a distance of 630-690 mm from each other, to provide extra support and safety for the user. Front support bar is very easy to fit at an adjustable depth in between two arm supports, both for new and existing installations. A lock at each side secures the chosen position. The front support bar is made from aluminium, available in neutral white colour only, with black plastic clamps. The bar is covered with durable and washable black polyurethane (PUR) foam which is molded to the contours of the user's thighs and hands.



Front support bar



Art. No.	Product name	Description	Unit
LI2609.2003-02	Front support bar	750 mm, adjustable length, coated aluminium/PUR, for all variants of Hinged arm support and Fixed arm support	1 Pce



Soft armrest

Soft armrest

For extra comfort and for an improved anti-slip grip, all variants of LinidoSolutions™ hinged and fixed arm supports can be fitted with soft armrests. Soft armrest can also be used to create more contrast and improved visibility between the arm support and the gripping surface. The ergonomically designed Soft armrest is made from durable and washable, black polyurethane (PUR) foam. The design provides for maximum hygiene and prevents skin from catching. Soft armrest is easily attached to the upper tube of the hinged and fixed arm supports, both for new and existing installations.



Art. No.	Product name	Description	Unit
LI2610.0010-00	Soft armrest	Length 350 mm, PUR, including adhesive, for all variants of Hinged arm support and Fixed arm support	1 Pce

Floor support for arm support

In order to provide adequate support and security, LinidoSolutions™ hinged and fixed arm supports must be securely fixed to a wall. When there are concerns over the strength of the wall, Hinged arm support can be used in combination with Floor support for arm support to distribute the load more evenly over both floor and wall. LinidoSolutions™ Floor support for arm support is supplied as a complete kit consisting of a support leg, a distance arm and a plastic clamp. The floor support features smooth height adjustment and can be used with arm supports at a height of 700-850 mm from the floor to the top of the arm support. It is very easy to install, both for new and existing installations of Hinged arm support. LinidoSolutions™ Floor support for arm support is available in several materials and colours; coated steel and coated stainless steel (white/black/red/blue/cream) and polished stainless steel with a white plastic (glass fibre reinforced nylon) clamp.



Art. No.	Product name	Description	Unit
LI2614.300x-xx	Floor support for arm support	Height-adjustable, for all variants of Hinged arm support except LI2603.350x-xx	1 Pce



For complete article numbers, please consult the Order information document.

Arm support accessories

Height adjustment system for arm supports

In order for an arm support to provide maximum benefit, the height of the arm support must be tailored to the user. And when several users use the same arm support, it is necessary to be able to adjust the height of the arm support to achieve the perfect fit for each user. LinidoSolutions™ Height adjustment system for arm supports allows for smooth and easy height adjustment of Hinged arm support, when and as required, without drilling of extra holes in the wall or new installation. The adjustment range of 150 mm is more than sufficient to achieve the correct height for both short and tall users. With a set of Adjustable clamp levers, which is available as an accessory, adjusting the height of Hinged arm support is as easy as can be.

LinidoSolutions™ Height adjustment system is very easy to install, both for new and for existing installations of Hinged arm support. It can also be used to prepare a toilet for the future installation of Hinged arm support. The arm supports can then be fitted to the height adjustment system when they are required.

Height adjustment system is available in coated stainless steel and in several colours (white/black/red/blue/cream).



Art. No.	Product name	Description	Unit
LI2615.3004-xx	Height adjustment system	Coated stainless steel, 365 x 125 mm, for all Hinged arm support, for 1 wall plate	1 Pce

Accessories

LI2806.0000-00	Wall mounting set	For wall mounting of Height adjustment system LI2615.3004-xx, for 1 system	1 Set
LI2815.0010-00	Adjustable clamp levers	Fixing clamp set for Height adjustment system LI2615.3004-xx, 2 pcs for 1 system	2 Pcs



MAX 150 KG

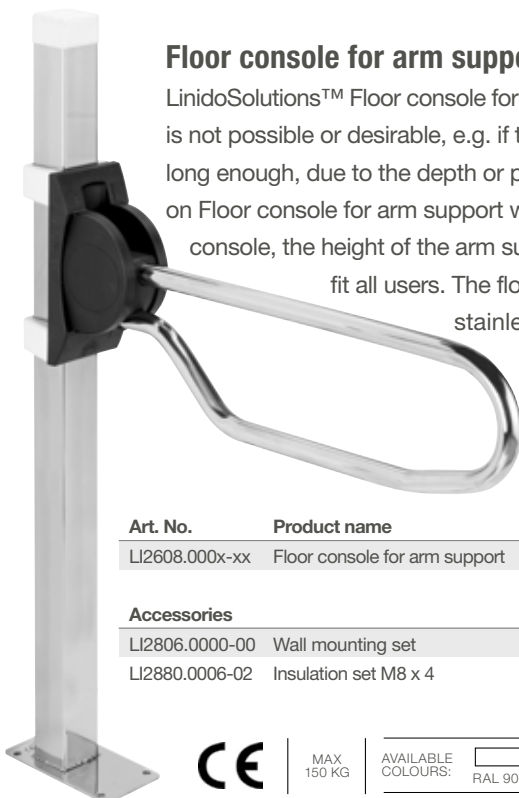
AVAILABLE COLOURS:



For complete article numbers, please consult the Order information document.

Floor console for arm support

LinidoSolutions™ Floor console for arm support is the perfect solution when wall mounting of Hinged arm support is not possible or desirable, e.g. if the walls of a toilet or bathroom are not suitable or if the arm support is not long enough, due to the depth or position of the toilet. In these situations, Hinged arm support can be installed on Floor console for arm support with retained safety, stability and functionality. Once mounted on the floor console, the height of the arm support can be continuously adjusted, up to a maximum height of 860 mm, to fit all users. The floor console features a solid construction with a floor plate made from stainless steel. It is supplied complete with backing plate, aluminium clamps and bolts for mounting of Hinged arm support. LinidoSolutions™ Floor console for arm support is available in several materials and colours; coated steel and coated stainless steel (white/black/red/blue/cream) and polished stainless steel with neutral white aluminium clamps.



Art. No.	Product name	Description	Unit
LI2608.000x-xx	Floor console for arm support	Height 1000 mm, complete with fixings, and Insulation set M8 x 4 for all Hinged arm support	1 Pce

Accessories

LI2806.0000-00	Wall mounting set	For mounting of Floor console for arm support, for 1 floor plate	1 Set
LI2880.0006-02	Insulation set M8 x 4	For electrical insulation and covering of fixing points, spare part for all variants of Floor console for arm support	1 Set



MAX 150 KG

AVAILABLE COLOURS:



For complete article numbers, please consult the Order information document.

Backrests

When using the toilet and performing some related tasks, the user has to lean backwards and, for some users, this can be difficult. A backrest can help the user lean backwards in safety and comfort to find the right, relaxed posture. A backrest is also useful for a user with limited hip movement or who is prone to hip strain.

Handicare's LinidoSolutions™ range includes wall mounted, flexible and comfortable backrests for toilets in two models; for toilets with high level cisterns (two variants with different depth adjustment range for different toilets) and for toilets with built-in cisterns. All backrests feature a comfortable polyurethane (PUR) foam cushion which is hinged to be able to follow the user's movements to provide extra support and security.

Furthermore, all backrests are depth adjustable to enable selection of the correct distance from the cistern/wall to the user's back. A handle behind the cushion can be used to adjust the backrest.

LinidoSolutions™ backrests are available in coated stainless steel and in several colours (white/black/red/blue/cream).

For all models, the cushion is available in neutral anthracite colour only. Backrests LI2701.2004-xx and LI2703.2004-xx are supplied complete with Insulation set M6 x 4 (LI2860.0000-00), which provides for electrical insulation and covering of fixing points.



Backrest LI2703.2004-02



Backrest LI2701.2004-02



Backrest LI2705.2004-02

Art. No.	Product name	Description	Unit
LI2701.2004-xx	Backrest	For toilets with a high level cistern, short depth adjustment range 195-250 mm, coated stainless steel/PUR	1 Pce
LI2703.2004-xx	Backrest	For toilets with a high level cistern, long depth adjustment range 280-415 mm, coated stainless steel/PUR	1 Pce
LI2705.2004-xx	Backrest	For toilets with built-in cistern, depth adjustment range 200-260 mm, coated stainless steel/PUR	1 Pce

Accessories

LI2807.0000-00	Wall mounting set	For wall mounting of Backrest LI2701.2004-xx, LI2703.2004-xx and Backrest LI2705.2004-xx when not used in combination with Hinged arm support, for 2 flanges	1 Set
LI2806.0000-00	Wall mounting set	For wall mounting of Backrest LI2705.2004-xx when used with Hinged arm support, for 1 wall plate	1 Set
LI0126.5034-02	Backing plate round	For secure fixing to a weaker wall, for Backrest LI2701.2004-xx and Backrest LI2703.2004-xx, for 1 flange	1 Pce
LI0126.5014-02	Backing plate rectangular	For secure fixing to a weaker wall, for Backrest LI2705.2004-xx with Hinged arm support, for 1 wall plate	1 Pce
LI2860.0000-00	Insulation set M6 x 4	For electrical insulation and covering of fixing points, spare part for Backrest LI2701.2004-xx, LI2703.2004-xx, accessory for Backrest LI2705.2004-xx without Hinged arm support, for 2 flanges	1 Set
LI2603.3xxx-xx	Hinged arm support	For side support in combination with Backrest 2705.2004-xx	1 Pce



MAX
150 KG

AVAILABLE COLOURS:  RAL 9010  RAL 9005  RAL 3003  RAL 5002  RAL 9001

For complete article numbers, please consult the Order information document.

Shower seats

For relaxed shower experiences in a practical bathroom

Showering, and all activities associated with it, involve a fair amount of exertion. And, given the changes in temperature and the combination of water and soap on tiles, there are also risks involved, especially for users with reduced strength and balance. Simple things, such as being able to sit down safely while showering, provide not only increased safety but also a significantly more comfortable and enjoyable experience.







LinidoSolutions™ shower seats

Various models provide a safe and comfortable place to sit in the shower

LinidoSolutions™ wall mounted shower seats are available in three models with several variants. All models are securely fixed to the wall to provide safe support for transfers to and from the shower as well as a comfortable place to sit and rest while showering. After use, the shower seats can be folded up to allow for more free space for performance of other tasks (e.g. drying), for a caregiver or for other users of the room. Naturally the shower seats are made from strong and durable materials which can withstand water and which are easy to keep clean. They are also very easy to install. The fixing points are readily accessible and, after installation, the fixing points are covered and concealed for a stylish look. Many different combination possibilities and many clever and practical accessories provide for increased versatility and usability for the creation of individually adapted support solutions for different locations and user needs.

Ergonomic shower seats

LinidoSolutions™ Ergonomic shower seat is available in three wall mounted variants with and without backrest and/or swivel armrests in a compact and stylish design. All variants feature the same ergonomic fold-up seat which has been carefully designed to encourage a proper, safe and active sitting position. The unique rounded front prevents the user's legs from catching behind the knees and the lightly textured surface prevents slipping. Two variants of Ergonomic shower seat are fitted with a backrest which is attached directly to the wall for security and for a compact format. The backrest provides useful, ergonomic support for the back and promotes a straight and active back posture ideal for showering and related activities. In addition to the supportive seat and backrest, the third variant of Ergonomic shower seat is fitted with swivel armrests. The armrests offer comfortable, ergonomically designed support for forearms and hands while sitting as well as during sitting down and rising up. The armrests can be folded up individually, e.g. to facilitate a sideways transfer. All variants of LinidoSolutions™ Ergonomic shower seat are very easy to install and, after installation, the hinge system and fixing points are covered and concealed for a stylish look and to make the shower seat easy to keep clean. The seat and the backrest are made from strong and durable plastic (glass fibre reinforced nylon) with smooth lines and surfaces for easy maintenance and good hygiene. The backrest is reinforced by a stainless steel tube. The armrests are made from aluminium fitted with polyurethane (PUR) foam available in anthracite only. All variants are available in several colours (white/black/red/blue/cream). For increased usability, and to provide optimal solutions for users with different needs, the ergonomic shower seats can be used in combination with a number of different accessories and other bathroom safety equipment. For example, when used in combination with Click-On frame, the shower seat is removable, which allows for easy adaption of the shower area for multiple users.



For users weighing more than 100 kg and depending on the wall structure, we recommend using Ergonomic shower seat in combination with Floor support for Ergonomic shower seats, which is available as an accessory.

For users weighing more than 125 kg, and who require extra support while getting into and out of the seat, we recommend using Ergonomic shower seat without armrests in combination with a Hinged arm support at each side.

Art. No.	Product name	Description	Unit
LI2201.2006-xx	Ergonomic shower seat	Incl drill jig and Cover set LI2801.0000-xx, seat: 425 x 405 mm	1 Pce
LI2202.2006-xx	Ergonomic shower seat	With backrest, incl drill jig and Cover set LI2803.0000-xx, seat: 425 x 405 mm	1 Pce
LI2203.2006-xx	Ergonomic shower seat	With backrest and armrests, incl drill jig and Cover set LI2803.0000-xx, seat: 425 x 405 mm	1 Pce

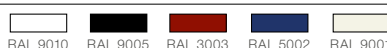
Accessories

LI2806.0000-00	Wall mounting set	For wall mounting of all variants of Ergonomic shower seat without backrest	1 Set
LI2805.0000-00	Wall mounting set	For wall mounting of all variants of Ergonomic shower seat with backrest	1 Set
LI0122.5084-02	Backing plates set	For secure fixing to a weaker wall, for all variants of Ergonomic shower seat	1 Set
LI09506.400	Cushioned cover	Soft seat cover, for all variants of Ergonomic shower seat	1 Pce
LI2216.0014-xx	Click-On frame	For all variants of Ergonomic shower seat with backrest, for hanging on Ergogrip 600/700/800/1600, Ergogrip 90 L and all variants of Ergogrip corner	1 Pce
LI2216.0024-xx	Click-On frame	Height adjustable, for all variants of Ergonomic shower seat with backrest, for hanging on Ergogrip 600/700/800/1600, Ergogrip 90 L and all variants of Ergogrip corner	1 Pce
LI2214.201x-xx	Floor support for Ergonomic shower seat	For all variants of Ergonomic shower seat, for users weighing more than 100 kg	1 Pce
LI2215.1014-xx	Height adjustment system	For all variants of Ergonomic shower seat without backrest	1 Set
LI2215.1024-xx	Height adjustment system	For all variants of Ergonomic shower seat with backrest	1 Set
LI2603.3xxx-xx	Hinged arm support	For side support in combination with all variants of Ergonomic shower seat without armrests, for users weighing more than 125 kg	1 Set
LI2801.0000-xx	Cover set	Spare part, for Ergonomic shower seat LI2201.2006-xx	1 Set
LI2803.0000-xx	Cover set	Spare part, for Ergonomic shower seat LI2202.2006-xx and LI2203.2006-xx	1 Set



MAX 150 KG
MAX 300 KG IN COMBINATION WITH FLOOR SUPPORT
MAX LOAD PER ARMREST 75 KG

AVAILABLE COLOURS:



For complete article numbers, please consult the Order information document.

Shower seats

Soft shower seats

LinidoSolutions™ Soft shower seat is an extremely secure wall mounted shower seat available in two variants with and without backrest and swivel armrests. Both variants feature the same soft polyurethane (PUR) seat making it ideal for users who sit on the shower seat for long periods of time and/or who have sensitive or vulnerable skin or skinny buttocks. The seat, which can be folded up after use, has an open front, which facilitates performance of intimate hygiene tasks without standing up. The seat is fitted with toilet rails and can also be used with a bucket or bedpan. For easier cleaning, the PUR seat can be hinged separately from the tubular frame. The backrest of Soft shower seat is fitted with a strong textile covering, which is firmly attached round the frame and which adapts to the body temperature during use. The ergonomically designed armrests offer comfortable support for the forearms while sitting and they are long enough to provide safe support also when sitting down on or getting up from the shower seat. The armrests can be folded up individually, e.g. to facilitate a sideways transfer.



Both variants of LinidoSolutions™ Soft shower seat are very easy to install and, after installation, the fixing points are covered and concealed for a stylish look and to make the shower seat easy to keep clean. The frame is available in two materials; coated steel or coated stainless steel and in several colours (white/black/red/blue/cream). The backrest cover is made from a woven polyester with plastic coating available only in neutral white colour. The soft seat and armrests are made from polyurethane (PUR) foam with closed cell structure and are available in anthracite only. All variants of Soft shower seat are supplied complete with Insulation set M8 x 4 (LI2880.0006-02) or Insulation set M8 x 5 (LI2881.0006-02), which provide for electrical insulation and covering of fixing points. For increased usability, and to provide optimal solutions for users with different needs, the soft shower seats can be used in combination with a number of accessories.



! For users weighing more than 100 kg and depending on the wall structure, we recommend using Soft shower seat in combination with Floor support for Soft shower seat (LI2214.001x-xx), which is available as an accessory.

For users weighing more than 125 kg, and who require extra support while getting into and out of the seat, we recommend using Soft shower seat without armrests in combination with a Hinged arm support at each side.

Art. No.	Product name	Description	Unit
LI2221.021x-xx	Soft shower seat	With soft toilet seat, incl. drill jig, seat: 425 x 415 mm	1 Pce
LI2223.021x-xx	Soft shower seat	With soft toilet seat, with backrest and armrests, incl. drill jig, seat: 425 x 415 mm	1 Pce

Accessories

LI2806.0000-00	Wall mounting set	For wall mounting of all variants of Soft shower seat without backrest	1 Set
LI2805.0000-00	Wall mounting set	For wall mounting of all variants of Soft shower seat with backrest	1 Set
LI2880.0006-02	Insulation set M8 x 4	For electrical insulation and covering of fixing points, spare part for LI2221.021x-xx	1 Set
LI2881.0006-02	Insulation set M8 x 5	For electrical insulation and covering of fixing points, spare part for LI2223.021x-xx	1 Set
LI2214.001x-xx	Floor support for Soft shower seat	For all variants of Soft shower seat, for users weighing more than 100 kg	1 Set
LI2215.1014-xx	Height adjustment system	For all variants of Soft shower seat, without backrest	1 Set
LI2215.1024-xx	Height adjustment system	For all variants of Soft shower seat, with backrest	1 Set
LI02979.430	Bucket	With lid and handle, stainless steel, Ø 300 mm, for all variants of Soft shower seat	1 Set
LI02979.411	Bedpan	With lid and handle, stainless steel, Ø 300 mm, for all variants of Soft shower seat	1 Set
LI2603.3xx-xx	Hinged arm support	For side support in combination with Soft shower seat without armrests, for users weighing more than 125 kg	1 Set



MAX 150 KG
MAX 300 KG IN COMBINATION WITH FLOOR SUPPORT
MAX LOAD PER ARMREST 75 KG

AVAILABLE COLOURS:  RAL 9010  RAL 9005  RAL 3003  RAL 5002  RAL 9001



Bedpan

Bucket

For complete article numbers, please consult the Order information document.

Short shower seats

LinidoSolutions™ Short shower seat is an extremely secure and very compact wall mounted shower seat available in two variants with and without backrest and swivel armrests. Both versions feature the same seat with reduced seat depth making the shower seat ideal for locations where space is limited. The version with backrest and armrests is only 445 mm deep, while the version without backrest and armrests is only 375 mm deep.

The seat, which can be folded up after use, as well as the backrest, is fitted with a strong textile covering, which is firmly attached round the frame and which adapts to the body temperature during use. The seat covering is flush with the frame, which facilitates sideways and standing transfers.

The ergonomically designed armrests offer comfortable support for the forearms while sitting and they are long enough to provide safe support also when sitting down on or getting up from the shower seat.

The armrests can be folded up individually, e.g. to facilitate a sideways transfer.

Both variants of LinidoSolutions™ Short shower seat are very easy to install and, after installation, the fixing points are covered and concealed for a stylish look and to make the shower seat easy to keep clean. The frame is available in coated steel or coated stainless steel and in several colours (white/black/red/blue/cream).

The seat and the backrest cover are made from a woven polyester with plastic coating available only in neutral white colour. The armrests are made from polyurethane (PUR) foam with closed cell structure and are available in anthracite only. All variants of Short shower seat are supplied complete with Insulation set M8 x 4 (LI2880.0006-02) or Insulation set M8 x 5 (LI2881.0006-02), which provide for electrical insulation and covering of fixing points. For increased usability, and to provide optimal solutions for users with different needs, the short shower seats can be used in combination with a number of accessories.



For users weighing more than 100 kg and depending on the wall structure, we recommend using Short shower seat in combination with Floor support for Short shower seat (LI2214.002x-xx), which is available as an accessory.

For users weighing more than 125 kg, and who require extra support while getting into and out of the seat, we recommend using Short shower seat without armrests in combination with a Hinged arm support at each side.

Art. No.	Product name	Description	Unit
LI2201.001x-xx	Short shower seat	With reduced seat depth, incl. drill jig, seat: 425 x 315 mm	1 Pce
LI2203.001x-xx	Short shower seat	With reduced seat depth, with backrest and armrests, incl. drill jig, seat: 425 x 315 mm	1 Pce

Accessories

LI2806.0000-00	Wall mounting set	For wall mounting of all variants of Short shower seat without backrest	1 Set
LI2805.0000-00	Wall mounting set	For wall mounting of all variants of Short shower seat with backrest	1 Set
LI2880-0006-02	Insulation set M8 x 4	For electrical insulation and covering of fixing points, spare part for LI2201.001x-xx	1 Set
LI2881.0006-02	Insulation set M8 x 5	For electrical insulation and covering of fixing points, spare part for LI2203.001x-xx	1 Set
LI2214.002x-xx	Floor support for Short shower seat	For all variants of Short shower seat, for users weighing more than 100 kg	1 Set
LI2215.1014-xx	Height adjustment system	For Short shower seat LI2201.001x-xx, without backrest	1 Set
LI2215.1024-xx	Height adjustment system	For Short shower seat LI2203.001x-xx, with backrest	1 Set
LI2603.3xxx-xx	Hinged arm support	For side support in combination with Short shower seat without armrests, for users weighing more than 125 kg	1 Set



MAX 150 KG
MAX 300 KG IN COMBINATION WITH FLOOR SUPPORT
MAX LOAD PER ARMREST 75 KG

AVAILABLE COLOURS:     

For complete article numbers, please consult the Order information document.

Shower seat accessories

Cushioned cover

LinidoSolutions™ Cushioned cover is a soft, removable seat cover which makes all variants of Ergonomic shower seat even more comfortable for the user. The soft foam cover is the perfect accessory for users with sensitive or vulnerable skin and/or for users who sit on the shower seat for long periods of time. Cushioned cover is fitted with a Velcro closure which makes it very easy to fit, remove and replace as required. The seat cover is made from durable and washable polyethylene/polypropylene foam and available in blue colour only.



MAX 150 KG

Art. No.	Product name	Description	Unit
LI09506.400	Cushioned cover	Soft seat cover, for all variants of Ergonomic shower seat, blue	1 Pce



Click-On frames

LinidoSolutions™ Ergonomic shower seats are designed to be wall mounted but, when used in combination with Click-On frame, Ergonomic shower seats featuring backrest can also be hung on an Ergogrip grab rail of min. 600 mm length. Click-On frame is an accessory offering a truly flexible solution for temporary or permanent installation of a shower seat. The shower seat becomes incredibly easy to attach and to remove as required and without tools; a very practical feature for bathrooms with limited space or which are used by different people, if a user's place of residence changes or if a user's medical condition varies. Safety locks automatically secures the frame onto the grab rail. LinidoSolutions™ Click-On frame is available in two variants; with fixed and with adjustable height, both made from coated stainless steel and available in several colours (white/black/red/blue/cream). All plastic components are in white colour only.

Click-on frame was a winner in the 'Innovations Competition', at REHACARE 2005 in Düsseldorf by the Research Institute for disabled aid technology (FTB).

Art. No.	Product name	Description	Unit
LI2216.0014-xx	Click-On frame	Coated stainless steel, for all Ergonomic shower seat with backrest. For hanging on Ergogrip 600/700/800/1600 and all variants of Ergogrip 90 L and Ergogrip corner grab rails	1 Pce
LI2216.0024-xx	Click-On frame	Height adjustable, coated stainless steel, for all Ergonomic shower seat with backrest. For hanging on Ergogrip 600/700/800/1600 and all variants of Ergogrip 90 L and Ergogrip corner grab rails	1 Pce

Accessories

LI2214.201x-xx	Floor support for Ergonomic shower seat	For all variants of Ergonomic shower seat, for users weighing more than 100 kg	1 Pce
----------------	---	--	-------



MAX 150 KG

AVAILABLE COLOURS:



We recommend using Click-On frame and Ergonomic shower seat in combination with Floor support for Ergonomic shower seat (LI2214.201x-xx), which is available as an accessory.

In combination with Ergogrip corner, Click-On frame should be hung on the shortest side of the grab rail.

For complete article numbers, please consult the Order information document.

Shower seat accessories

Floor supports for shower seats

In order to provide adequate support and security, a wall mounted shower seat must always be fixed securely to the wall. However, for users weighing more than 100 kg and when there are concerns over the strength of the wall, we recommend using LinidoSolutions™ wall mounted shower seats in combination with a floor support which is available as an accessory. The floor support distribute the load over both the floor and the wall and the combination has a safe working load of up to 300 kg.

The floor supports for shower seats are available in three variants adapted for different models of LinidoSolutions™ wall mounted shower seats. All variants are supplied as complete kits consisting of two height-adjustable support legs and two distance arms. The support legs are connected to each other by a connecting bar and fold up with the seat as one part. When folded down, the support legs automatically find the correct position. The connecting bar is positioned high enough to allow the user to place his feet under the shower seat and rise up using a natural movement pattern. All floor supports for shower seats are very easy to install, both for new and for existing installations of wall mounted shower seats. LinidoSolutions™ floor supports for shower seats are available in coated steel and coated stainless steel and in several colours (white/black/red/blue/cream). All plastic components are white.



Art. No.	Product name	Description	Unit
LI2214.201x-xx	Floor support for Ergonomic shower seat	For all variants of Ergonomic shower seat with a seat height of 420-570 mm, incl. Floor support installation set LI2804.0000-02	1 Pce
LI2214.001x-xx	Floor support for Soft shower seat	For all variants of Soft shower seat with a seat height of 490-640 mm	1 Pce
LI2214.002x-xx	Floor support for Short shower seat	For all variants of Short shower seat with a seat height of 440-590 mm	1 Pce

Accessories

LI2804.0000-02	Floor support installation set	Spare part for Floor support for Ergonomic shower seat LI2214.201x-xx	1 Set
----------------	--------------------------------	---	-------



MAX 300 KG IN COMBINATION WITH SHOWER SEAT

AVAILABLE COLOURS:



For users weighing more than 100 kg and depending on the wall structure, we recommend using Ergonomic shower seat in combination with Floor support for Ergonomic shower seats (LI2214.201x-xx), which is available as an accessory.

For complete article numbers, please consult the Order information document.



Shower seat accessories

Height adjustment systems for shower seats

In order for a wall mounted shower seat to provide maximum benefit, the seat height must be tailored to the user. And when different users use the same shower seat, it is necessary to adjust the seat height for each user for a perfect fit.

LinidoSolutions™ height adjustment systems for shower seats allow for smooth seat height adjustment of wall mounted shower seats, when and as required, without drilling of extra holes in the wall or new installation. The adjustment range of 150 mm is more than sufficient to achieve the correct height for both short and tall users.

With a set of Adjustable clamp levers, which is available as an accessory, adjusting the height of the shower seat is as simple as can be.

Height adjustment system is very easy to install, both for new and for existing installations of shower seats. It can also be used to prepare a shower for the future installation of a shower seat. The shower seat can then be fitted to the height adjustment system when it is required.

LinidoSolutions™ Height adjustment system is available in two variants; for shower seats with and without backrests, both in coated stainless steel and in several colours (white/black/red/blue/cream).



Art. No.	Product name	Description	Unit
LI2215.1014-xx	Height adjustment system	Coated stainless steel, including drill jig, for all shower seats without backrest; Ergonomic shower seat LI2201.2006-xx, Soft shower seat LI2221.021x-xx, Short shower seat LI2201.001x-xx	1 Set
LI2215.1024-xx	Height adjustment system	Coated stainless steel, including drill jig, for all shower seats with backrest; Ergonomic shower seat LI2202.2006-xx, LI2203.2006-xx, Soft shower seat LI2223.021x-xx, Short shower seat LI2203.001x-xx	1 Set

Accessories

LI2806.0000-00	Wall mounting set	For wall mounting of Height adjustment system LI2215.1014-xx, for 1 system	1 Set
LI2805.0000-00	Wall mounting set	For wall mounting of Height adjustment system LI2215.1024-xx, for 1 system	1 Set
LI2815.0010-00	Adjustable clamp levers	Fixing clamp set for Height adjustment system LI2215.1014-xx, 2 pcs for 1 system	2 Pcs
LI2815.0020-00	Adjustable clamp levers	Fixing clamp set for Height adjustment system LI2215.1024-xx, 4 pcs for 1 system	4 Pcs

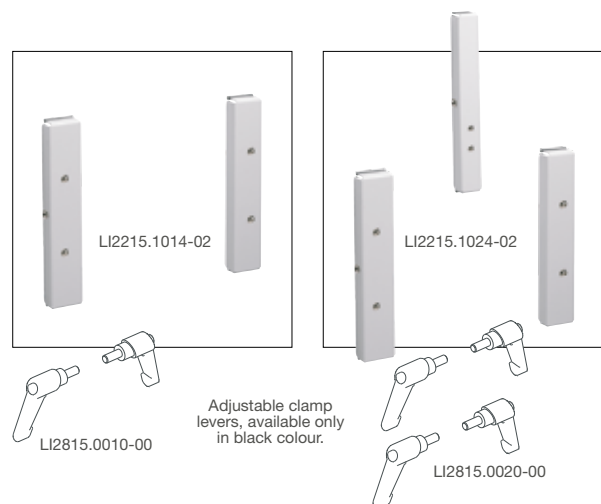


MAX
150 KG

AVAILABLE
COLOURS:



For complete article numbers, please consult the Order information document.





Shower stretchers



LinidoSolutions™ shower stretchers - various models enable showering in a lying position

LinidoSolutions™ wall mounted Shower stretcher is a convenient and extremely secure facility allowing the user to shower in a safe and comfortable lying position. It also makes it easier for a caregiver to maintain an ergonomic posture while assisting the user with washing, drying, dressing and undressing. The shower stretcher is especially suitable for mounting above a bathtub and it can also be used as a changing table.

To accommodate for different user needs and for bathrooms of different sizes, the shower stretcher is available in four models, each in three different lengths. All models feature the same compact design with smooth shapes and surfaces

providing for easy maintenance and good hygiene.

The shower stretchers are securely fixed to the wall and are fitted with two support legs ensuring that the load is effectively distributed during use. After use, the shower stretchers can be folded up towards the wall, together with the legs, allowing for more free space for performance of other tasks or for other users of the room. The models without water receiver can also be folded down. A wall clamp locks the shower stretcher to the wall in the folded up position.

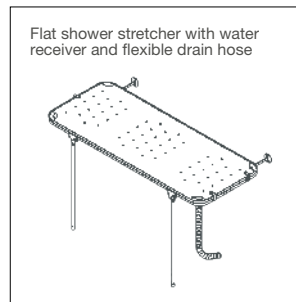
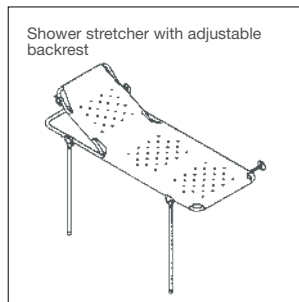
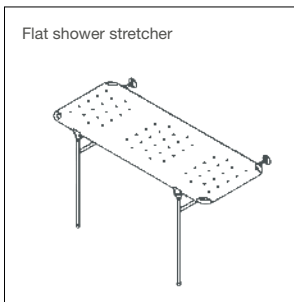
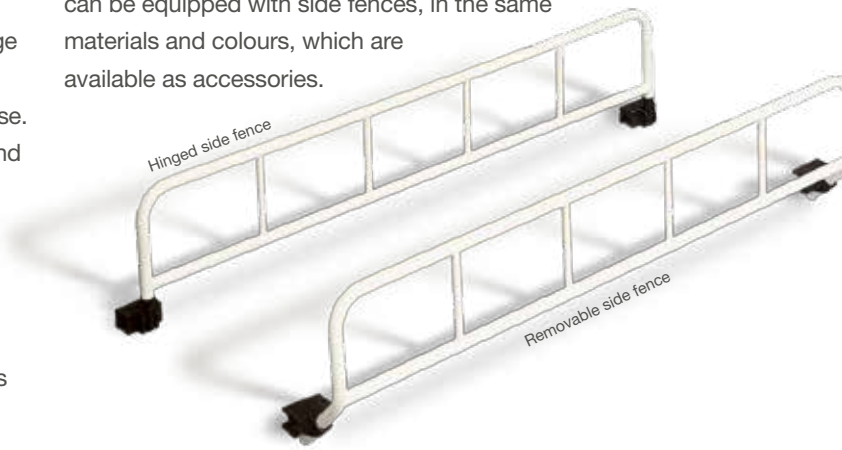
The shower stretchers are very easy to install and, naturally, they are made from strong and durable materials which can withstand water and which are easy to keep clean.

Shower stretchers

The flat model is ideal for users requiring frequent turning. It also works well for both right- and left-handed caregivers as the user's head can be positioned at either end of the stretcher.

The model with adjustable backrest enables a slight rising on the left hand side. Raising the user's head and upper body can facilitate tasks such as washing the user's hair. The backrest is operated using a gas spring which is, as standard, fitted on the left-hand side. The adjustment range is 5-80°. Furthermore, the flat and adjustable models are both available with a water receiver and a flexible drain hose. These models catch the water while showering the user and prevent the caregiver from getting wet in the process. All models are fitted with a strong and durable textile covering; a woven polyester with plastic coating, which is stretched tightly and firmly attached round the frame and which adapts to the body during use. The covering is fully glued around and flush with the frame to facilitate transfers and provide for good hygiene. The frame is available in

several materials and colours; coated steel seat and coated stainless steel (white/black/red/blue/cream). The covering is available only in neutral white colour. All variants of LinidoSolutions™ shower stretchers are supplied complete with Insulation set M6 x 4 (LI2860.0000-00), which provides for electrical insulation and covering of fixing points. For increased safety and security, the shower stretchers can be equipped with side fences, in the same materials and colours, which are available as accessories.



Art. No.	Product name	Description	Unit
LI2403.150x-xx	Shower stretcher 1500	Flat, lying surface: length 1490 mm	1 Pce
LI2403.170x-xx	Shower stretcher 1700	Flat, lying surface: length 1690 mm	1 Pce
LI2403.190x-xx	Shower stretcher 1900	Flat, lying surface: length 1890 mm	1 Pce
LI2404.150x-xx	Shower stretcher 1500	Adjustable backrest, lying surface: length 1490 mm	1 Pce
LI2404.170x-xx	Shower stretcher 1700	Adjustable backrest, lying surface: length 1690 mm	1 Pce
LI2404.190x-xx	Shower stretcher 1900	Adjustable backrest, lying surface: length 1890 mm	1 Pce
LI2407.150x-xx	Shower stretcher 1500	Flat, with water receiver and flexible drain hose, lying surface: length 1490 mm	1 Pce
LI2407.170x-xx	Shower stretcher 1700	Flat, with water receiver and flexible drain hose, lying surface: length 1690 mm	1 Pce
LI2407.190x-xx	Shower stretcher 1900	Flat, with water receiver and flexible drain hose, lying surface: length 1890 mm	1 Pce
LI2408.150x-xx	Shower stretcher 1500	Adjustable backrest, with water receiver and flexible drain hose, lying surface: length 1490 mm	1 Pce
LI2408.170x-xx	Shower stretcher 1700	Adjustable backrest, with water receiver and flexible drain hose, lying surface: length 1690 mm	1 Pce
LI2408.190x-xx	Shower stretcher 1900	Adjustable backrest, with water receiver and flexible drain hose, lying surface: length 1890 mm	1 Pce

Accessories

LI2807.0000-00	Wall mounting set	For wall mounting of all LinidoSolutions™ shower stretchers	1 Set
LI2860.0000-00	Insulation set M6 x 4	For electrical insulation and covering of fixing points, spare part for all shower stretchers	1 Set
LI2490.125x-xx	Removable side fence	1250 x 170 mm, including plastic mounting clamps, for all LinidoSolutions™ shower stretchers	1 Pce
LI2590.125x-xx	Hinged side fence	1250 x 235 mm, including plastic mounting clamps, for all LinidoSolutions™ shower stretchers	1 Pce



MAX 150 KG

AVAILABLE COLOURS:



For complete article numbers, please consult the Order information document.



Washbasin adaptations

Optimal settings and support for all users

The washbasin is one of the most frequently used bathroom equipment items as many personal care tasks are performed either using it directly or standing or sitting right next to it. The washbasin is also very inviting to lean on for support but, as the ceramics and mounting parts are not designed for this load, the washbasin is not a safe support.

In a bathroom with multiple users, the washbasin offers further, more practical challenges. Most of the time, a standard washbasin is not only too high for a wheelchair user. It also does not provide enough room for the user's legs. And, for a standing user, a washbasin adapted for sitting users is usually too low.

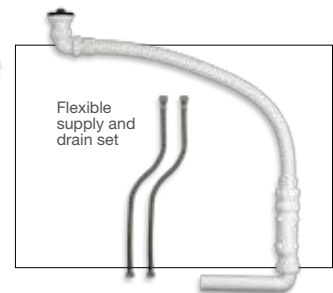
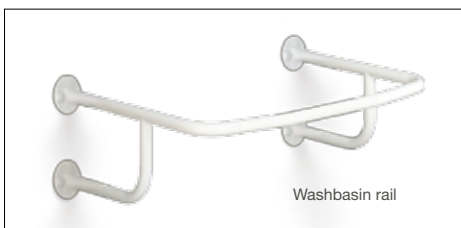
With LinidoSolutions™ washbasin adaptations, any washbasin can be fitted with a simple and easy to use height adjustment system or with a sturdy and secure grab rail for extra support, to make the washbasin and the bathroom safe and really well suited for all users without making concessions to the choice for the interior.

Washbasin adaptations

Washbasin adjustment system

LinidoSolutions™ Washbasin adjustment system is a simple device for smooth adjustment of the height and depth of a washbasin and an ideal solution for a bathroom with multiple users with different needs. The adjustment system is very easy to operate, single-handedly and using a handle located at the top of the unit. A sitting user only needs to use the weight of his own arms to lower the washbasin and to bring it forward in a single movement. Afterwards, a standing or taller user can easily raise the washbasin again to achieve the perfect height. The adjustment system offers an adjustment range of 250 mm in height and 86 mm in depth by means of a gas spring. It is mounted on the wall, at any desired height, and is suitable for all standard washbasins with a flat back and a weight of 15-18 kg. Since the height and depth of the washbasin will vary, a flexible supply and drain set is required. A complete supply and drain set, including a washbasin plug for standard washbasins, and suitable for a waste pipe with a diameter of 40 mm, is available as an accessory. The Flexible supply and drain set also includes a flexible plastic drain hose (1500 mm) and a trap as well as two flexible supply hoses (500 mm), for hot and cold water, with stainless steel braiding. The trap, which can be mounted horizontally or vertically on the wall, features a diameter of 32 mm.

Art. No.	Product name	Description	Unit
LI3012.0004-02	Washbasin adjustment system	Coated stainless steel, white, excl. washbasin, tap and Flexible supply and drain set	1 Set
Accessories			
LI3013.0000-00	Flexible supply and drain set	Ø 40 mm, white, complete with washbasin plug, flexible supply and drain hoses and trap, for Washbasin adjustment system LI3012.0004-02	1 Set



Washbasin rail

People often use the washbasin rim for support; for leaning on it when standing or for support when rising up or when getting into and out of the bathtub or shower. This puts undue stress on the washbasin, which is not designed or suitable for this purpose, and therefore, this is not a safe solution. LinidoSolutions™ Washbasin rail can be used in combination with most standard wall mounted or pedestal washbasins. The rail is mounted with four support points on the wall. It goes all the way around the washbasin to offer support during standing as well as a good grip and sturdy support for a user during rising up from a seated position. The lower rails on the sides can be used for hanging a towel or for mounting of a toilet roll holder safely within reach. LinidoSolutions™ Washbasin rail is available in one size and in several materials and colours; coated steel and coated stainless steel (white/black/red/blue/cream) and polished stainless steel. Special sizes are available upon request.

Art. No.	Product name	Description	Unit
LI2606.000x-xx	Washbasin rail	700 x 530 mm, incl. Insulation set M6 x 4	1 Pce

Accessories			
LI2807.0000-00	Wall mounting set	For wall mounting of all Washbasin rail, 2 set are needed	1 Set
LI2860.0000-00	Insulation set M6 x 4	For electrical insulation and covering of fixing points, spare part for all variants of Washbasin rail	1 Set
LI0126.5034-02	Backing plate round	For secure fixing to a weaker wall, for all variants of Washbasin rail, for 1 flange	1 Pce
LI2617.0002-03	Toilet roll holder	Stainless steel and black plastic clamp, for all variants of Washbasin rail	1 Pce
LI2618.0006-02	Toilet roll holder single-hand	For single-handed use, white plastic, for all variants of Washbasin rail	1 Pce



For complete article numbers, please consult the Order information document.





Bathroom accessories

Accessible, safe and great looking bathrooms

Bathroom adaptations are always planned and carried out with focus on the specific needs as well as the general comfort and safety of the users.

Other important aspects are of course practicality and durability; that the bathroom is easy to use, for everyone who uses it, that it is easy to keep clean and that all equipment is of high quality, with a long lifetime.

But there is one more aspect to consider; design. A modern, attractive design and a coherent style in all details might be a less obvious but certainly not less important factor for the final result – an accessible, safe and great looking bathroom.



LinidoSolutions™ bathroom accessories

Useful and practical details with
a matching design

In addition to the various bathroom safety equipment described in this catalogue, LinidoSolutions™ also includes a comprehensive range of useful and practical accessories. A uniform look is pleasing to the eye. Therefore many of these accessories feature the same wall flanges and covers as the Ergogrip grab rails and a general design which is a true match to the bathroom safety equipment in the LinidoSolutions™ range. Naturally, the bathroom accessories are made from the same high quality materials and are available in the same colours as the other products.

Toilet roll holders

Toilet paper needs to be within easy reach. LinidoSolutions™ includes two different toilet roll holders which can easily be attached, anywhere over the entire length, to a hinged or fixed arm support, to an Ergogrip grab rail or to a Washbasin rail at a convenient distance from the toilet.

The LinidoSolutions™ Toilet roll holder, which is made of polished stainless steel with a black plastic clamp, is ideal for institutions and public facilities. The clamp is open at the top so the toilet roll holder doesn't get in the way when the user is holding onto the arm support or grab rail.

The LinidoSolutions™ Toilet roll holder single-hand features a unique design which, as the name suggests, allows for changing, unrolling and tearing off toilet paper using only one hand.

Toilet roll holder single-hand won the Fireva Design Award 2002. This award is an accolade to innovative design in assistance for disabled and mobility impaired people. In addition Toilet roll holder single-hand has been nominated for the VSK award 2004 in the sanitary category.

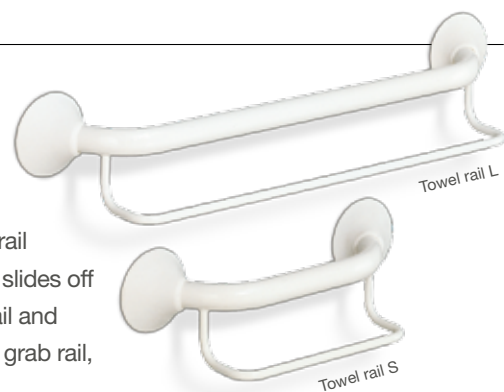


Art. No.	Product name	Description	Unit
LI2617.0002-03	Toilet roll holder	Polished stainless steel, for Ergogrip 300-2000, for all variants of Ergogrip angled grab rails and for all variants of Ergogrip corner, Hinged arm support, Fixed arm support and Washbasin rail	1 Pce
LI2618.0006-02	Toilet roll holder single-hand	For single-handed use, plastic (PMMA), white, for Ergogrip 400-2000, for all variants of Ergogrip angled grab rails and for all variants of Ergogrip corner, Hinged arm support, Fixed arm support and Washbasin rail	1 Pce

Towel rails

Sometimes a towel is hung over a grab rail and a dangerous situation may unintentionally be created; if a person needs support and holds onto a grab rail with a towel hanging on it, they will very likely lose their stability as the towel slides off the rail. The LinidoSolutions™ Towel rail is a clever combination of a towel rail and a secure grab rail. The upper rail offers support in the same way as a regular grab rail, while the lower rail provides a place to hang a towel within easy reach.

LinidoSolutions™ Towel rail is available in two sizes and in several materials and colours; coated steel and coated stainless steel (white/black/red/blue/cream) and polished stainless steel with white or black plastic (glass fibre reinforced nylon) flanges and covers.



Art. No.	Product name	Description	Unit
LI2637.001x-xx	Towel rail S	Towel rail with 2 flanges, grip length 300 mm	1 Pce
LI2637.002x-xx	Towel rail L	Towel rail with 2 flanges, grip length 600 mm	1 Pce

Accessories

LI2807.0000-00	Wall mounting set	For wall mounting of all variants of Towel rail, for 2 flanges	1 Set
LI0126.5034-02	Backing plate round	For secure fixing to a weaker wall, for all variants of Towel rail, for 1 flange	1 Pce



MAX 150 KG

AVAILABLE COLOURS:



For complete article numbers, please consult the Order information document.

Bathroom accessories



Shower head holder

For people with restricted movement or weak wrists or hands, operating a regular shower head holder is not easy as the traditional rotary knob requires a twisting movement which can be painful or cause strain. The LinidoSolutions™ Shower head holder features an ergonomic design allowing it to be gripped in several different ways. It is used in combination with an Ergogrip grab rail constituting an elegant and practical slide bar as well as a safe and secure support in the bath or shower. The shower head holder can easily be adjusted up and down over the full length of the slide bar, single-handedly, with very little force and with no mechanisms to release.

A special braking system keeps the shower head holder at the required height for sitting or standing showering. The shower head holder features a conical shape and can accommodate any standard hand-held shower head.

LinidoSolutions™ Shower head holder is made from plastic (PMMA) and is available in several colours; white/black/red/blue/cream.

Art. No.	Product name	Description	Unit
LI2630.2006-xx	Shower head holder	Plastic (PMMA), for Ergogrip 300-1400, for all variants of Ergogrip 90 angled grab rails, for all variants of Ergogrip combination rail	1 Pce



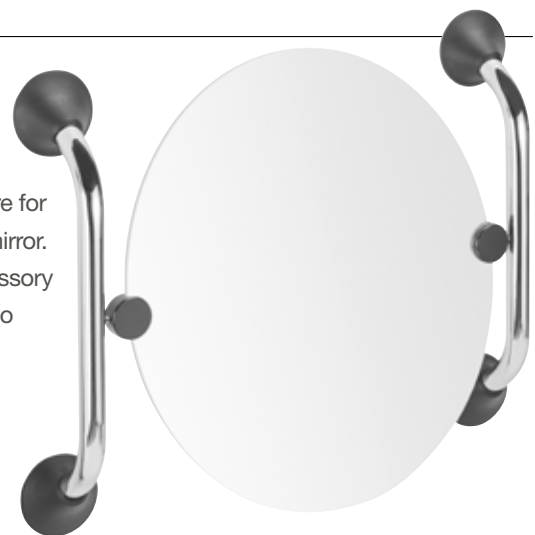
For complete article numbers, please consult the Order information document.

Hardware for tilting mirror

With LinidoSolutions™ Hardware for tilting mirror, a mirror can easily be adjusted to the correct angle for every user, standing and seated. Hardware for tilting mirror consists of two Ergogrip straight grab rails with fixings for a mirror. Therefore, in addition to providing easy adjustment of the mirror, this accessory also provides reliable support. The hardware is supplied without a mirror so you can choose your own shape and size.

A handle for tilting the mirror is available as an accessory. The handle shortens the distance and makes it easier for a sitting user to tilt the mirror. This is also helpful for people who have restricted movement in their shoulders, arms or hands. The handle can be installed anywhere on the mirror and is suitable for both left-hand and right-hand use.

LinidoSolutions™ Hardware for tilting mirror is available in several materials and colours; coated steel and coated stainless steel (white/black/red/blue/cream) and polished stainless steel with white or black plastic (glass fibre reinforced nylon) flanges and covers. The handle is available in polished stainless steel with a connector in matching colour. The knob is always black.



Handle for tilting mirror

Advice for measurements of mirror:
 Round: max. Ø 600 mm.
 Rectangular: max. 600 x 400 mm
 Thickness: max. 6 mm

Bathroom accessories

Art. No.	Product name	Description	Unit
LI2642.001x-xx	Hardware for tilting mirror	Two Ergogrip straight grab rails with fixings for a mirror, height 505 mm	1 Set

Accessories

LI2807.0000-00	Wall mounting set	For wall mounting of all variants of Hardware for tilting mirror, for 2 flanges	1 Set
LI0126.5034-02	Backing plate round	For secure fixing to a weaker wall, for all variants of Hardware for tilting mirror, for 1 flange	1 Pce
LI2642.0022-xx	Handle for tilting mirror	For use with Hardware for tilting mirror, polished/coated stainless steel	1 Pce



SWL
150 KG

AVAILABLE
COLOURS:



RAL 9010

RAL 9005

RAL 3003

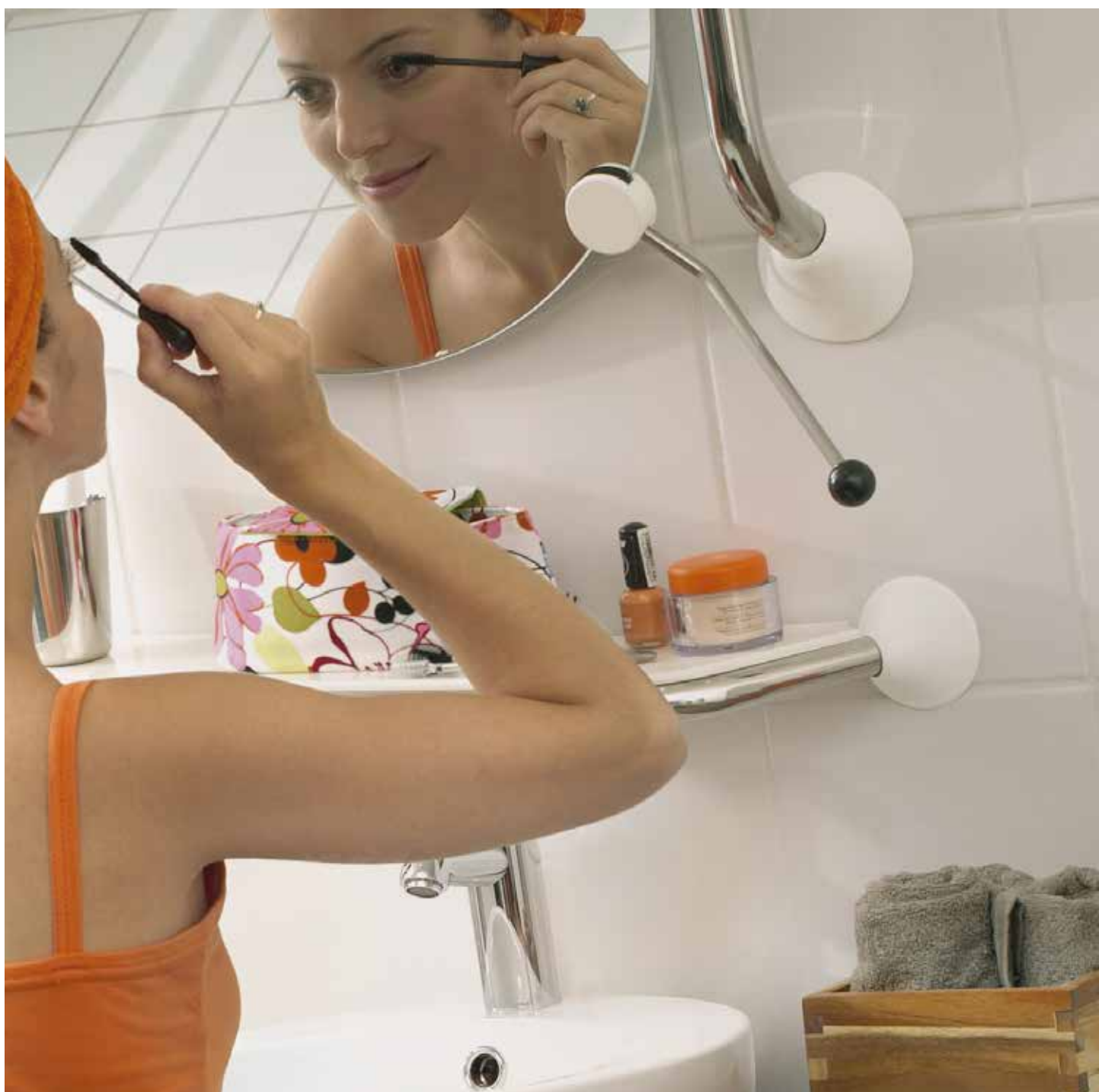
RAL 5002

RAL 9001

STEEL

STEEL

For complete article numbers, please consult the Order information document.



Bathroom accessories

For complete article numbers, please consult the Order information document.

Shower curtain rail

Wall mounted shower curtain rail for corner showers measuring 900 x 900 mm. A matching Ceiling mounting set is available as an accessory for extra security.



Ceiling mounting set
Total length 1000 mm.
Can be shortened to required length.

Art. No.	Product name	Description	Unit
LI2641.000x-xx	Shower curtain rail	Total length 900 x 900 mm, for corner showers and for standard shower curtain rings	1 Pce

Accessories

LI2807.0000-00	Wall mounting set	For wall mounting of all variants of Shower curtain rail, for 2 flanges	1 Set
LI0126.5034-02	Backing plate round	For secure fixing to a weaker wall, for all variants of Shower curtain rail, for 1 flange	1 Pce
LI2641.1003-xx	Ceiling mounting set	1000 mm, coated aluminium with black, plastic clamp, for all variants of Shower curtain rail	1 Set



Available in several materials and colours; coated steel and coated stainless steel (white/black/red/blue/cream) and polished stainless steel with white or black plastic (glass fibre reinforced nylon) flanges and covers.

Robe hooks

Single or double robe hooks for convenient hanging of towels and bathrobes.

Art. No.	Product name	Description	Unit
LI2636.0006-xx	Robe hook single	Plastic (PMMA), including stainless steel fittings	1 Pce
LI2636.0016-xx	Robe hook double	Plastic (PMMA), including stainless steel fittings	1 Pce



Toothbrush holder

Toothbrush holder with a removable, transparent tumbler which is deep enough to ensure that the toothbrushes will not fall out.

Art. No.	Product name	Description	Unit
LI2632.0006-xx	Toothbrush holder	Plastic (PMMA), including transparent tumbler and stainless steel fittings	1 Set



Bathroom accessories

Soap dish

Wall mounted holder with removable soap dish for convenient storage of soap, other personal care items or medicines. The flat surface makes it easy to grasp and remove items from the dish.

Art. No.	Product name	Description	Unit
LI2633.0006-xx	Soap dish	Plastic (PMMA), including stainless steel fittings	1 Set

AVAILABLE COLOURS:

RAL 9010	RAL 9005	RAL 3003	RAL 5002	RAL 9001



Shelf

Practical shelf with a large flat surface for all kinds of personal care products and medicines. Install below the washbasin mirror or in the shower. The shelf is made from durable plastic (PMMA) and the supporting tube is available in several materials and colours; coated steel and coated stainless steel (white/black/red/blue/cream) and polished stainless steel with white or black plastic (glass fibre reinforced nylon) covers.

Art. No.	Product name	Description	Unit
LI2634.000x-xx	Shelf	685 x 145 mm, including stainless steel fittings	1 Pce

AVAILABLE COLOURS:

RAL 9010	RAL 9005	RAL 3003	RAL 5002	RAL 9001



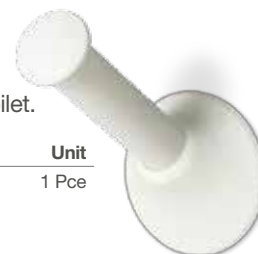
Spare toilet roll holder

Wall mounted spare toilet roll holder for storing of a spare toilet roll at a convenient distance from the toilet.

Art. No.	Product name	Description	Unit
LI2635.0006-xx	Spare toilet roll holder	Plastic (PMMA), including stainless steel fittings	1 Pce

AVAILABLE COLOURS:

RAL 9010	RAL 9005	RAL 3003	RAL 5002	RAL 9001



Toilet brush and holder

Useful and practical toilet brush and holder with removable bowl and plastic cover to hide the brush.

Art. No.	Product name	Description	Unit
LI2631.0006-xx	Toilet brush and holder	Plastic (PMMA), including stainless steel fittings	1 Set

AVAILABLE COLOURS:

RAL 9010	RAL 9005	RAL 3003	RAL 5002	RAL 9001



For complete article numbers, please consult the Order information document.

Bathroom accessories

Swinging support

LinidoSolutions™ Swinging support is a wall mounted support rail fitted with a moulded triangular grip hanging from a nylon strap with adjustable length. The support rail can be swung out from the wall and locked into different angles (0°, 45°, 90°, 135° or 180°) to be well within reach for a user lying on a trolley or in bed. In this position, Swinging support provides a safe grip and support for rising from a supine position, turning over or changing position. After use, the support rail can be swung back against the wall and out of the way. The swinging motion and the locking cord can be operated by the user from a lying position. To be able to use Swinging support when turning and repositioning, the user must be able to support his/her own body weight.



NB: This type of lifting puts stress on your arms, shoulders and back. Before using a support rail of this type check with a health-care professional to make sure this solution is suitable for you.

LinidoSolutions™ Swinging support is available in several materials and colours; coated steel and coated stainless steel (white/black/red/blue/cream) with a light grey plastic (glass fibre reinforced nylon) handle.

Art. No.	Product name	Description	Unit
LI2613.000x-xx	Swinging support	Total length 915 mm, strap length 120-1500 mm, incl. Insulation set M8 x 4	1 Pce

Accessories

LI2806.0000-00	Wall mounting set	For wall mounting of all variants of Swinging support, for 1 wall plate	1 Set
LI2880.0006-02	Insulation set M8 x 4	For electrical insulation and covering of fixing points, spare part for Swinging support	1 Set



MAX 150 KG

AVAILABLE COLOURS:

RAL 9010	RAL 9005	RAL 3003	RAL 5002	RAL 9001

For complete article numbers, please consult the Order information document.

Ceiling support

LinidoSolutions™ Ceiling support is fixed to the ceiling. The moulded triangular grip is hanging from a nylon strap with adjustable length. From a fixed location and well within reach for a user lying on a trolley or in bed, Ceiling support provides a safe grip and support for rising from a supine position, turning over or changing position. To be able to use Ceiling support when turning and repositioning, the user must be able to support his/her own body weight.

LinidoSolutions™ Ceiling support is available in coated steel and in several colours (white/black/red/blue/cream) with a light grey plastic (glass fibre reinforced nylon) handle.

NB: This type of lifting puts stress on your arms, shoulders and back. Before using a support rail of this type check with a health-care professional to make sure this solution is suitable for you.



Art. No.	Product name	Description	Unit
LI2612.0001-xx	Ceiling support	Strap length 120-1500 mm, incl. Insulation set M6 x 4	1 Pce

Accessories

LI2807.0000-00	Wall mounting set	For wall mounting of all variants of Ceiling support	1 Set
LI2860.0000-00	Insulation set M6 x 4	For electrical insulation and covering of fixing points, spare part for Ceiling support	1 Set



MAX 150 KG

AVAILABLE COLOURS:

RAL 9010	RAL 9005	RAL 3003	RAL 5002	RAL 9001

For complete article numbers, please consult the Order information document.



Mounting equipment

All LinidoSolutions™ mounting equipment: **MAX 150 KG**

Wall mounting sets

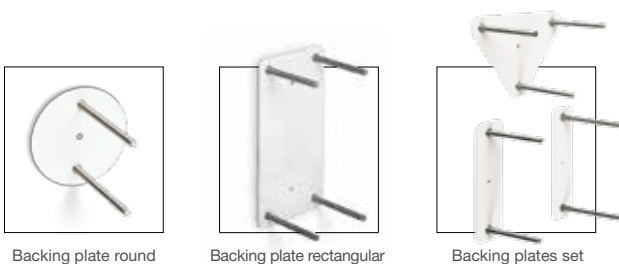
Accessories for wall mounting of various LinidoSolutions™ bathroom safety equipment.

Art. No.	Product name	Description	Unit
LI2807.0000-00	Wall mounting set	Fischer UX 8 plugs (4 pcs), wood screw 6 x 60 mm stainless steel A2 (4 pcs), washer M8 DIN 125 stainless steel A2 (4 pcs), for wall mounting of: <ul style="list-style-type: none"> • all Ergogrip grab rails • all models of Stair newel grab rail • all models of Door frame grab rail • Backrest LI2701.2004-xx, LI2703.2004-xx • Backrest LI2705.2004-xx when not used in combination with Hinged arm support • all models of Shower stretcher • Washbasin rail • all models of Towel rail • Hardware for tilting mirror • Shower curtain rail • Ceiling support 1 set for 2 flanges, 2 sets for 3-4 flanges etc.	1 Set
LI2806.0000-00	Wall mounting set	Fischer UX 10 plugs (4 pcs), wood screw 8 x 90 mm stainless steel A2 (4 pcs), washer M8 DIN 125 stainless steel A2 (4 pcs), for wall mounting of: <ul style="list-style-type: none"> • all Hinged arm support • all Fixed arm support • Floor console for arm supports • Height adjustment system, for arm supports LI2615.3004-xx • Backrest LI2705.2004-xx when used in combination with Hinged arm support • Ergonomic shower seat without backrest LI2201.2006-xx • Soft shower seat without backrest LI2221.021x-xx • Short shower seat without backrest LI2201.001x-xx • Height adjustment system, for shower seats without backrest LI2215.1014-xx • Swinging support 	1 Set
LI2805.0000-00	Wall mounting set	Fischer UX 10 plugs (7 pcs), wood screw 4 x 90 mm stainless steel A2 and 3 x 70 mm stainless steel A2 (7 pcs), washer M8 DIN 125 stainless steel A2 (7 pcs), for wall mounting of: <ul style="list-style-type: none"> • Ergonomic shower seats with backrest/armrests LI2202.2006-xx, LI2203.2006-xx • Soft shower seat with backrest/armrests LI2223.021x-xx • Short shower seat with backrest/armrests LI2203.001x-xx • Height adjustment system, for shower seats with backrest/armrests LI2215.1024-xx 1 set for 1 shower seat	1 Set

Backing plates

When there are concerns about the strength of the wall, LinidoSolutions™ wall mounted products can be securely fixed from the back of the wall using backing plates and existing fixing points. The backing plates are visible from the back side of the wall.

Art. No.	Product name	Description	Unit
LI0126.5034-02	Backing plate round	Coated stainless steel, white, complete with pre-welded M6 nuts and matching threaded studs, washers and nuts. No separate fixings are required. Accessory for extremely secure wall mounting of: <ul style="list-style-type: none"> • all Ergogrip grab rails, • Backrest LI2701.2004-xx, LI2703.2004-xx • Washbasin rail • all models of Towel rail • Hardware for tilting mirror • Shower curtain rail 1 pce for 1 flange, 2 pieces for 2 flanges etc.	1 Pce
LI0126.5014-02	Backing plate rectangular	Coated stainless steel, white, complete with pre-welded M8 nuts and matching threaded studs, washers and nuts. No separate fixings are required. Accessory for extremely secure wall mounting of: <ul style="list-style-type: none"> • all Hinged arm support • Backrest LI2705.2004-xx when used in combination with Hinged arm support 1 pce for 1 wall plate, 2 pieces for 2 wall plates etc	1 Pce
LI0122.5084-02	Backing plates set	Coated stainless steel, white, complete with pre-welded M8 nuts, matching threaded studs, washers, nuts and bracket for backrest. No separate fixings are required. Accessory for extremely secure wall mounting of: <ul style="list-style-type: none"> • all models of Ergonomic shower seat 	1 Set

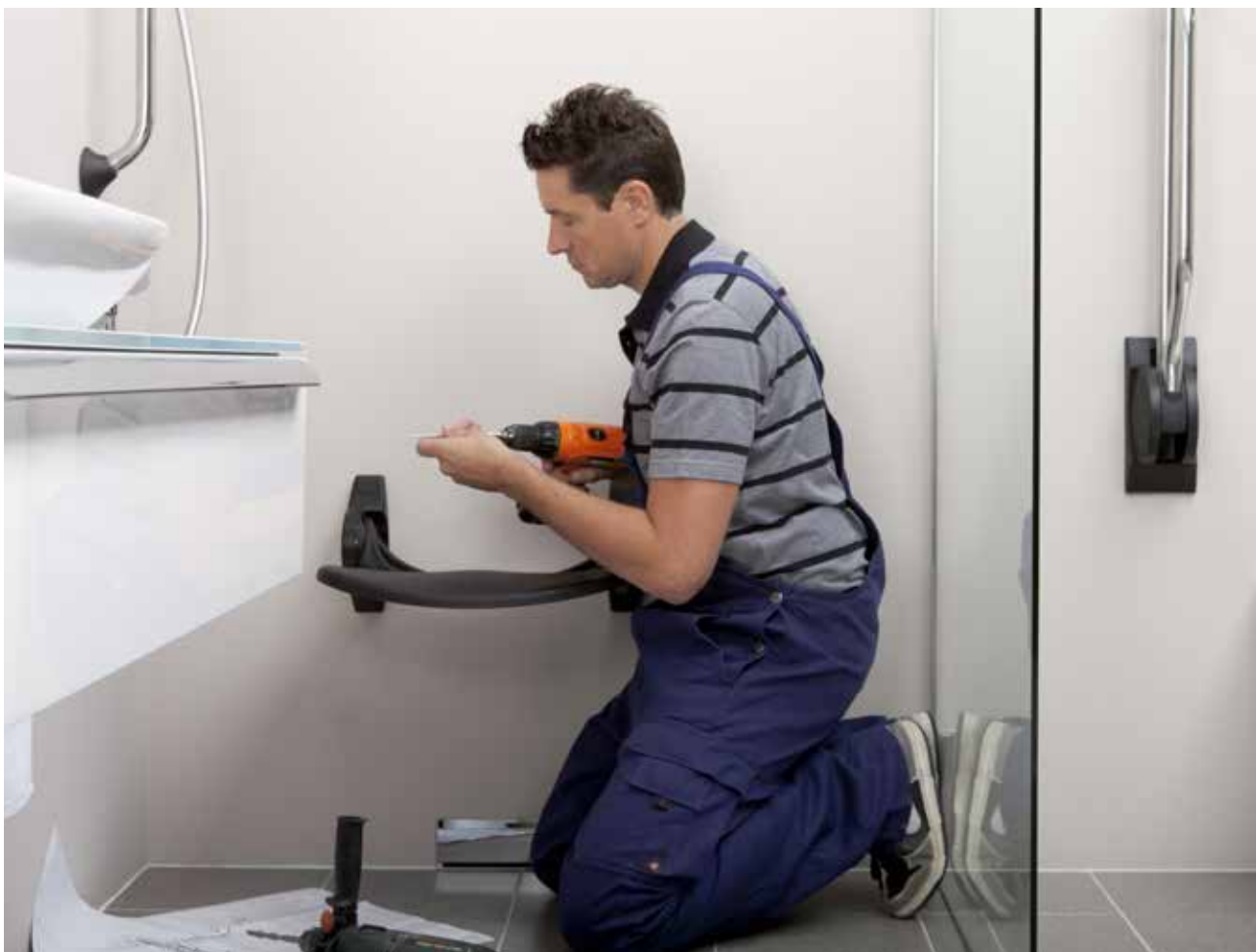


Mounting equipment

Insulation, cover and installation sets

Spare parts for electrical insulation and covering of fixing points. Wall mounted and floor mounted products not featuring plastic flanges or wall plates are always supplied with the corresponding insulation sets. Cover and installation sets are also supplied with the corresponding products.

Art. No.	Product name	Description	Unit
LI2860.0000-00	Insulation set M6 x 4	White plastic rings and covers suitable for M6 bolts. Spare part for: <ul style="list-style-type: none"> • all models of Stair newel grab rail • all models of Door frame grab rail • Backrest LI2701.2004-xx, LI2703.2004-xx • Backrest LI2705.2004-xx when not used with Hinged arm support (accessory, not included) • all models of Shower stretcher • Washbasin rail • Ceiling support 1 set for 2 flanges, 2 sets for 4 flanges etc	1 Set
LI2880.0006-02	Insulation set M8 x 4	White plastic rings and covers suitable for M8 bolts. Spare part for: <ul style="list-style-type: none"> • all Fixed arm support • Floor console for arm supports • Soft shower seat without backrest LI2221.021x-xx • Short shower seat without backrest LI2201.001x-xx • Swinging support 	1 Set
LI2881.0006-02	Insulation set M8 x 5	White plastic rings and covers suitable for M8 bolts and plastic clamp. Spare part for: <ul style="list-style-type: none"> • Soft shower seat with backrest/armrests LI2223.021x-xx • Short shower seat with backrest/armrests LI2203.001x-xx 1 set for 1 shower seat	1 Set
LI2826.0036-xx	Cover set	Spare part for Hinged arm support LI2603.3xxx-xx	1 Set
LI2801.0000-xx	Cover set	Spare part for Ergonomic shower seat LI2201.2006-xx	1 Set
LI2803.0000-xx	Cover set	Spare part for Ergonomic shower seat LI2202.2006-xx, LI2203.2006-xx	1 Set
LI2804.0000-02	Floor support installation set	Spare part for floor support for Ergonomic shower seat LI2214.201x-xx	1 Set

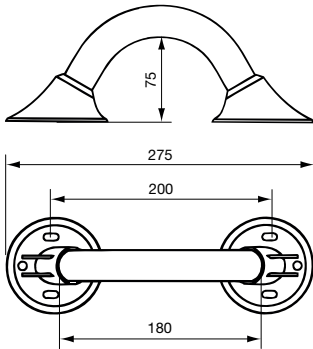


Technical drawings

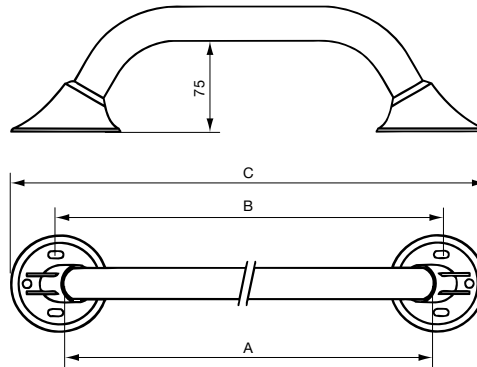
All measurements are in mm. For complete article numbers, please consult the Order information document.

Grab rails

Ergogrip 200 | Art. no. LI2611.020x-xx

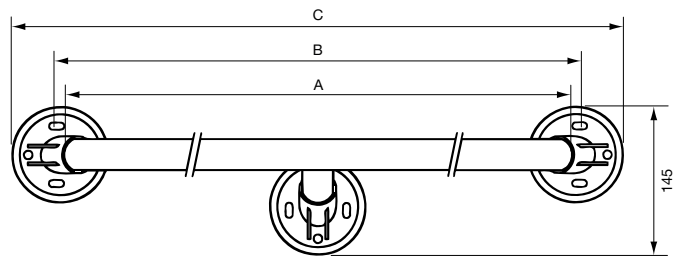
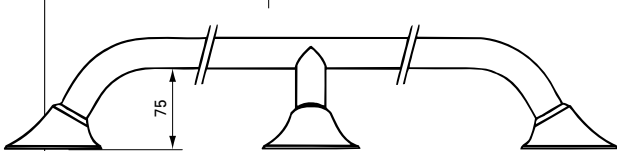


Ergogrip 300-1400 | Art. no. LI2611.030x-xx -- LI2611.140x-xx



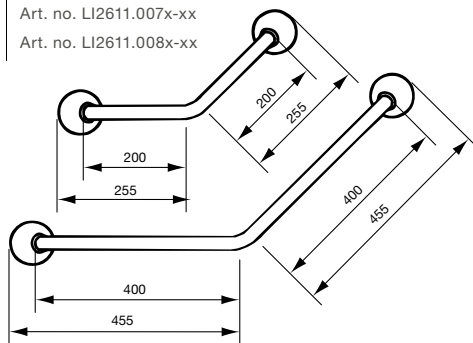
Art. Nr	A	B	C
LI2611.030	300	317	405
LI2611.040	400	417	505
LI2611.050	500	517	605
LI2611.060	600	617	705
LI2611.070	700	717	805
LI2611.080	800	817	905
LI2611.090	900	917	1005
LI2611.100	1000	1017	1105
LI2611.120	1200	1217	1305
LI2611.140	1400	1417	1505

Ergogrip 1600-2000 | Art. no. LI2611.160x-xx -- LI2611.200x-xx



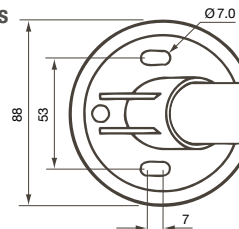
	A	B	C
LI2611.160	1600	1617	1705
LI2611.180	1800	1817	1905
LI2611.200	2000	2017	2105

Ergogrip 45 S | Art. no. LI2611.007x-xx
Ergogrip 45 L | Art. no. LI2611.008x-xx



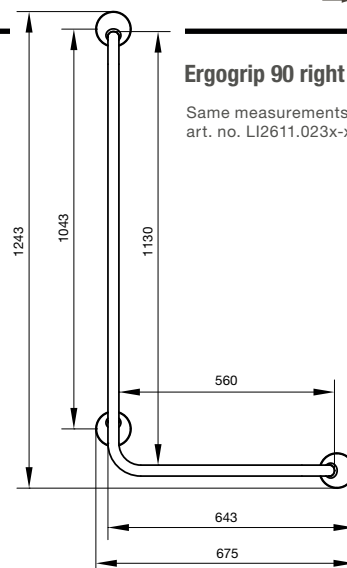
All Ergogrip grab rails

Tube diameter:
28.6 mm (steel)
28 mm (stainless steel)



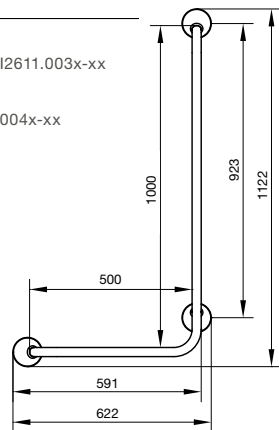
Ergogrip 90 right L | Art. no. LI2611.024x-xx

Same measurements for Ergogrip 90 left L,
art. no. LI2611.023x-xx



Ergogrip 90 left S | Art. no. LI2611.003x-xx

Same measurements for
Ergogrip 90 right S, art. no. LI2611.004x-xx

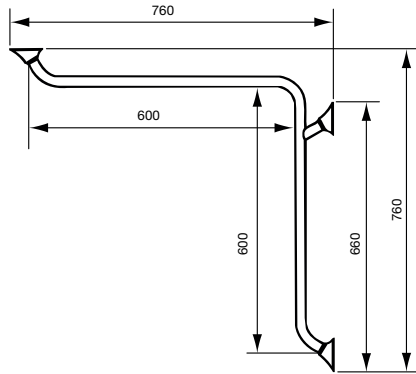


Technical drawings

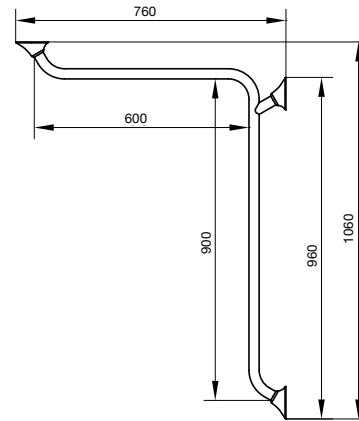
All measurements are in mm. For complete article numbers, please consult the Order information document.

Grab rails

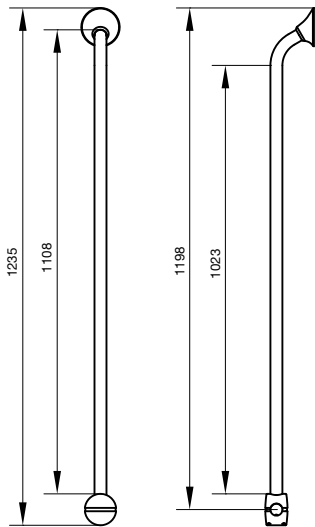
Ergogrip corner S | Art. no. LI2611.015x-xx



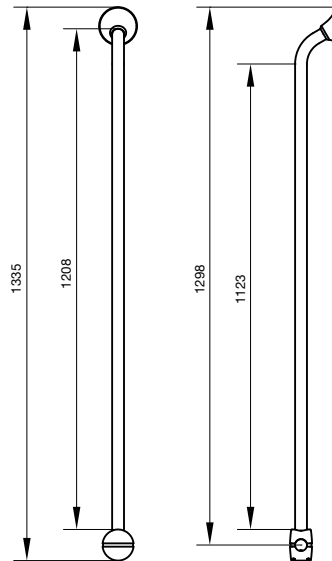
Ergogrip corner L | Art. no. LI2611.025x-xx



Ergogrip combination rail S | Art. no. LI2611.018x-xx

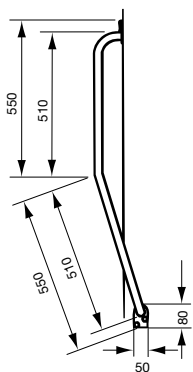


Ergogrip combination rail L | Art. no. LI2611.019x-xx

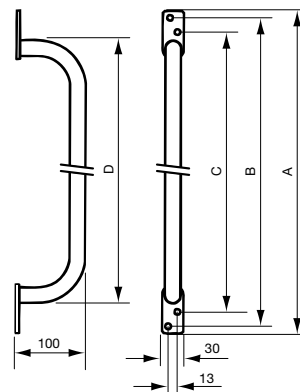


Stair newel grab rail A | Art. no. LI2611.011x-xx
Stair newel grab rail B | Art. no. LI2611.012x-xx

Tube diameter:
 28.6 mm (steel)
 28 mm (stainless steel)



Door frame grab rail S/M/L | Art. no. LI2619.0301-02, LI2619.0451-02, LI2619.0601-02



Art. Nr	A	B	C	D
LI2619.030	300	280	240	215
LI2619.045	450	430	390	365
LI2619.060	600	580	540	515

Tube diameter: 22 mm

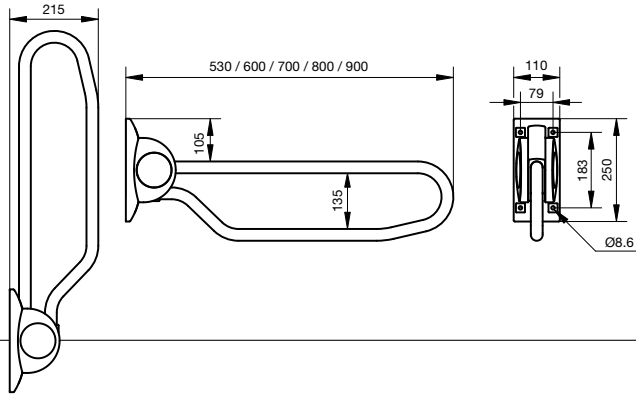
Technical drawings

All measurements are in mm. For complete article numbers, please consult the Order information document.

Arm supports

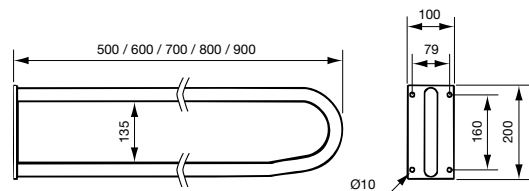
Hinged arm support
530/600/700/800/900

Art. no. LI2603.350x-xx -- LI2603.390x-xx



Fixed arm support
500/600/700/800/900

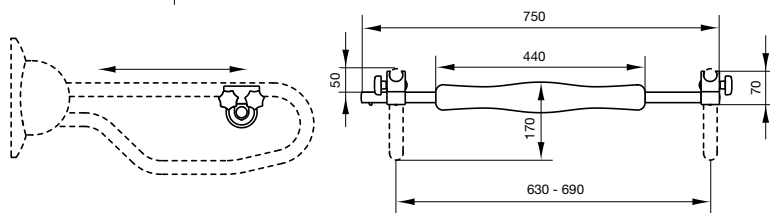
Art. no. LI2601.050x-xx -- 2601.090x-xx



Arm support accessories

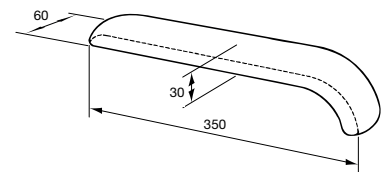
Front support bar

Art. no. LI2609.2003-02



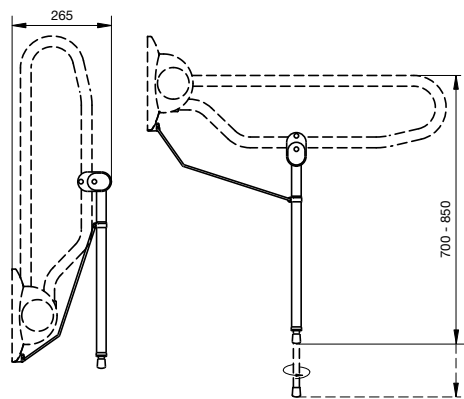
Soft armrest

Art. no. LI2610.0010-00



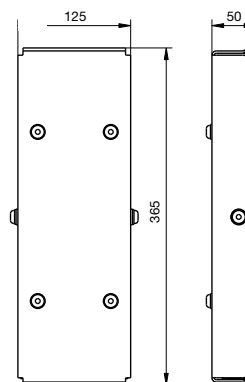
Floor support for arm support

Art. no. LI2614.300x-xx



Height adjustment system

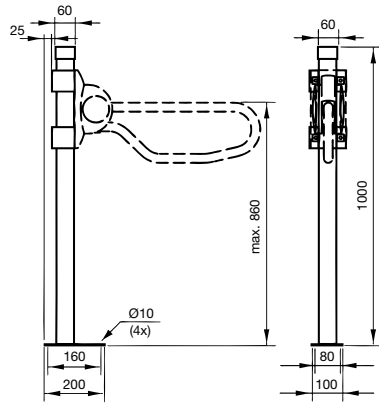
Art. no. LI2615.3004-xx



All measurements are in mm. For complete article numbers, please consult the Order information document.

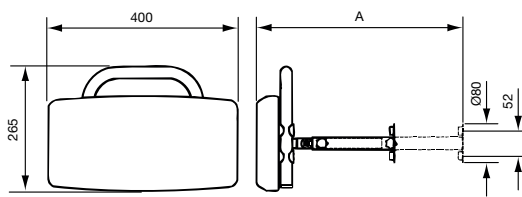
Arm support accessories

Floor console for arm support | Art. no. LI2608.000x-xx



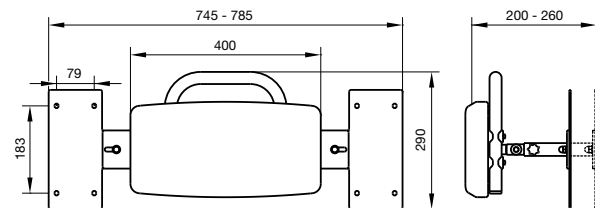
Backrest

Backrest | Art. no. LI2701.2004-xx, LI2703.2004-xx



	A
LI2701.200	195 - 250
LI2703.200	280 - 415

Backrest | Art. no. LI2705.2004-xx

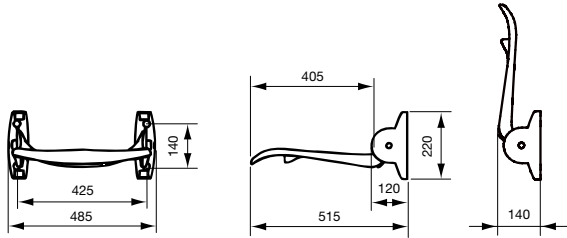


Technical drawings

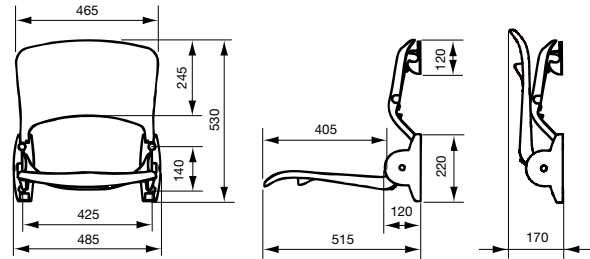
All measurements are in mm. For complete article numbers, please consult the Order information document.

Shower seats

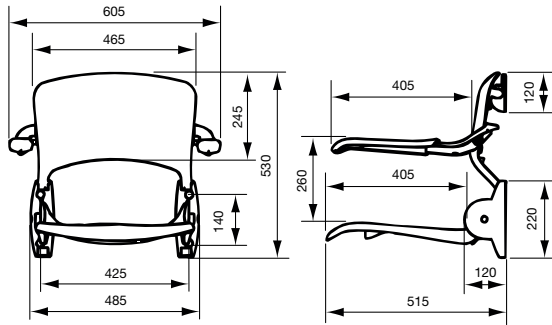
Ergonomic shower seat | Art. no. LI2201.2006-xx



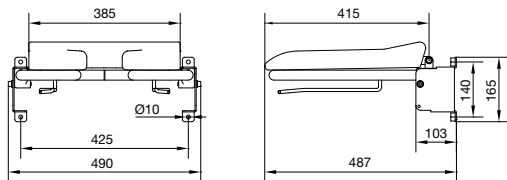
Ergonomic shower seat, with backrest | Art. no. LI2202.2006-xx



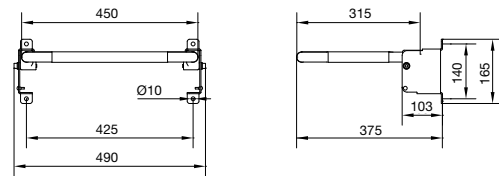
Ergonomic shower seat, with backrest and armrests | Art. no. LI2203.2006-xx



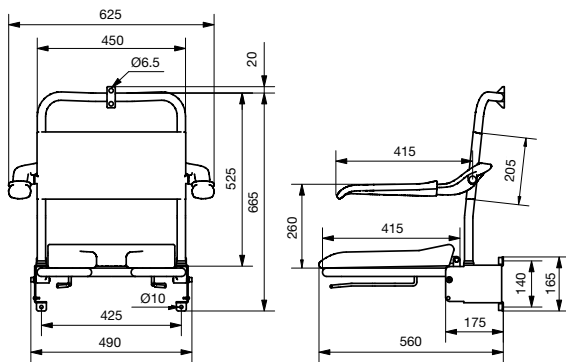
Soft shower seat | Art. no. LI2221.021x-xx



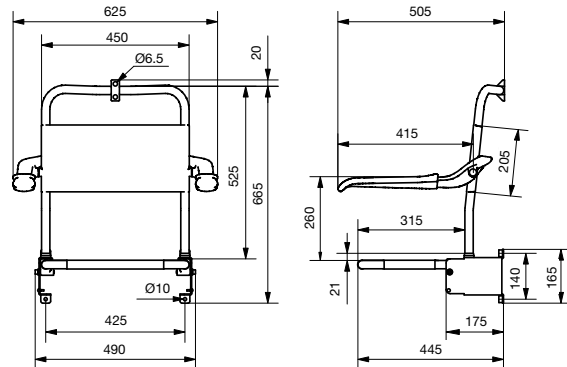
Short shower seat | Art. no. LI2221.021x-xx



Soft shower seat, with backrest and armrests | Art. no. LI2223.021x-xx



Short shower seat, with backrest and armrests | Art. no. LI2203.001x-xx

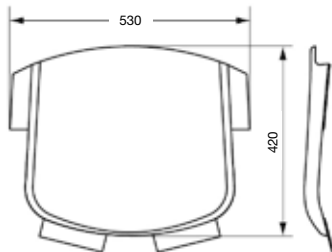


Technical drawings

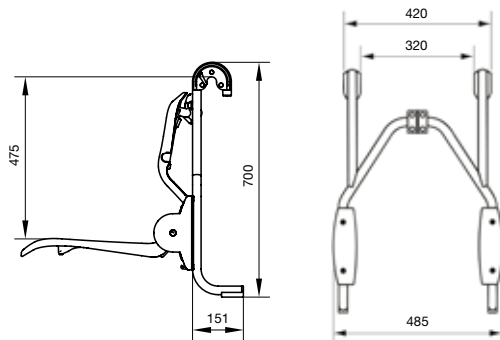
All measurements are in mm. For complete article numbers, please consult the Order information document.

Shower seat accessories

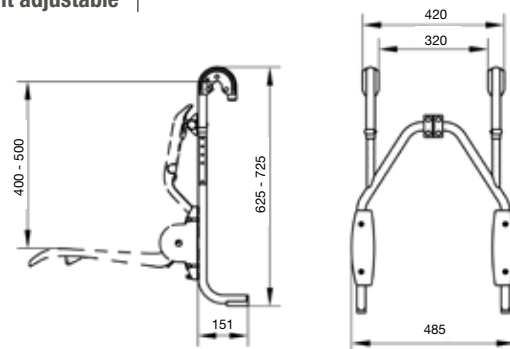
Cushioned cover | Art. no. LI09506.400



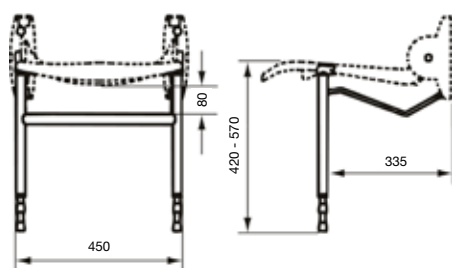
Click-On frame | Art. no. LI2216.0014-xx



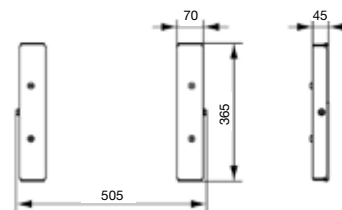
Click-On frame, height adjustable | Art. no. LI2216.0024-xx



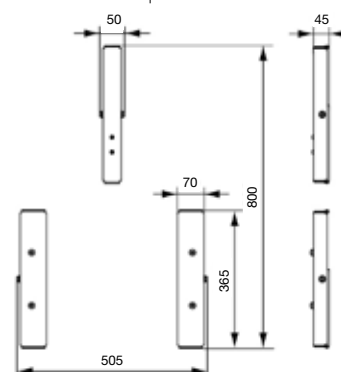
Floor support for Ergonomic shower seat | Art. no. LI2214.201x-xx



Height adjustment system | Art. no. LI2215.1014-xx



Height adjustment system | Art. no. LI2215.1024-xx

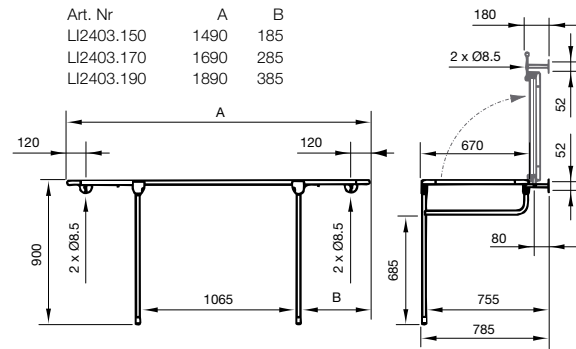


Technical drawings

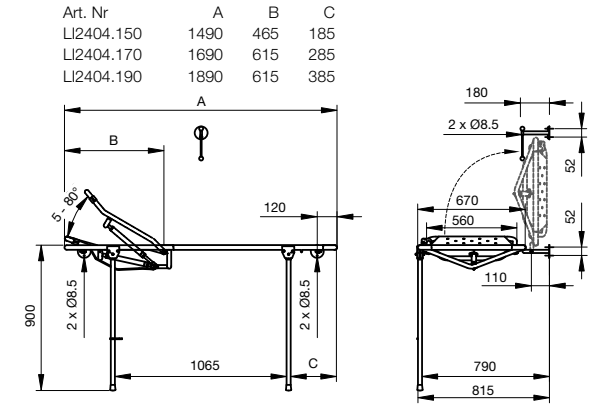
All measurements are in mm. For complete article numbers, please consult the Order information document.

Shower stretchers

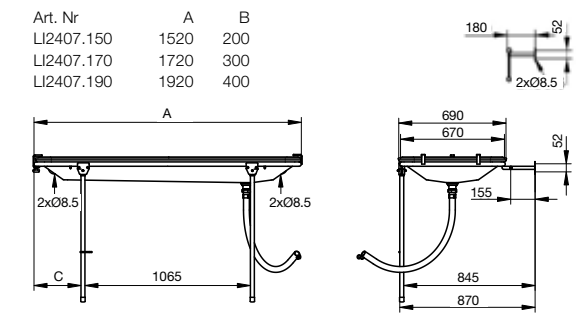
Shower stretcher, flat | Art. no. LI2403.150x-xx -- LI2403.190x-xx



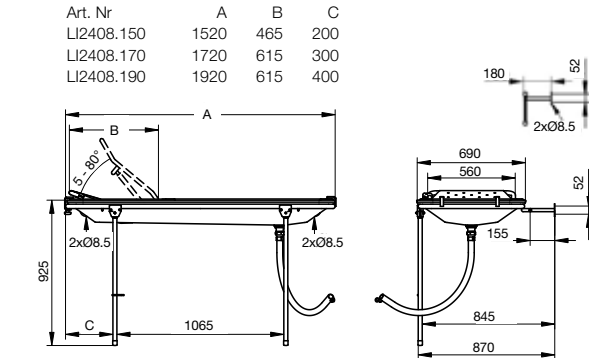
Shower stretcher, adjustable backrest | Art. no. LI2404.150x-xx -- LI2404.190x-xx



Shower stretcher, flat, with water receiver and flexible drain hose | Art. no. LI2407.150x-xx -- LI2407.190x-xx

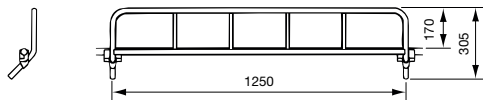


Shower stretcher, adjustable backrest, with water receiver and flexible drain hose | Art. no. LI2408.150x-xx -- LI2408.190x-xx

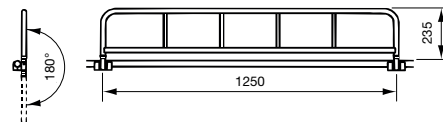


Shower stretcher accessories

Removable side fence | Art. no. LI2490.125x-xx



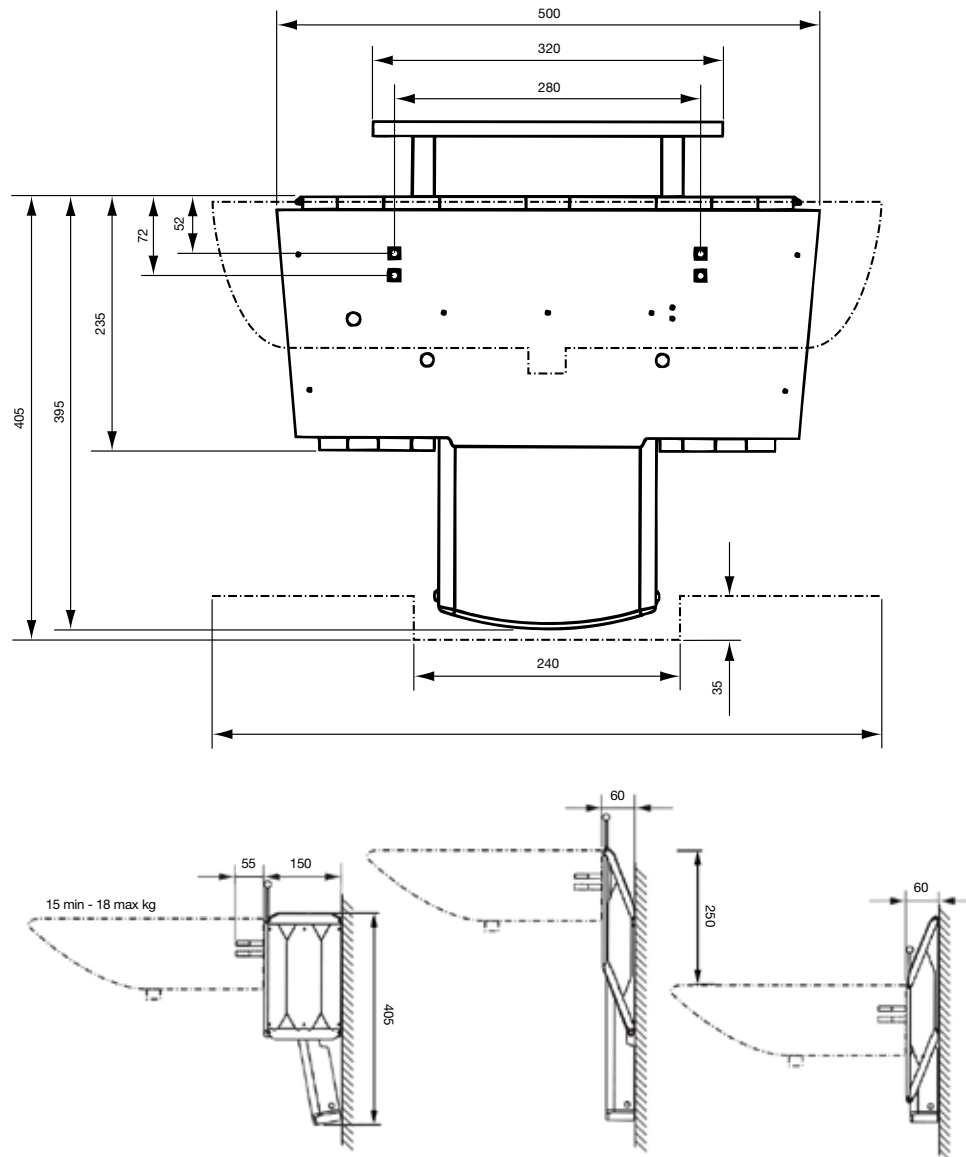
Hinged side fence | Art. no. LI2590.125x-xx



All measurements are in mm. For complete article numbers, please consult the Order information document.

Washbasin adaptions

Washbasin adjustment system | Art. no. LI3012.0004-02



Washbasin rail | Art. no. LI2606.000x-xx

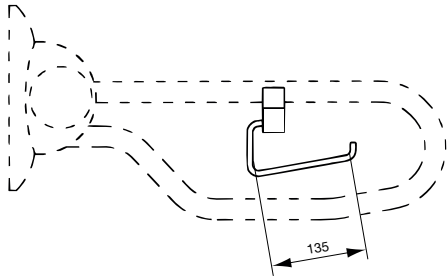


Technical drawings

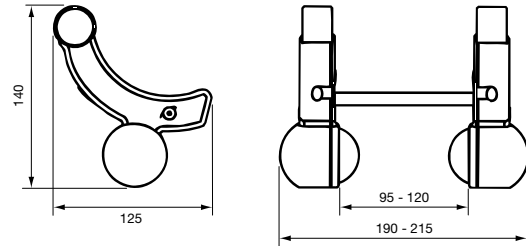
All measurements are in mm. For complete article numbers, please consult the Order information document.

Bathroom accessories

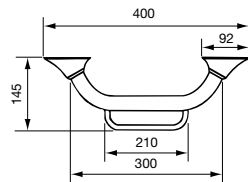
Toilet roll holder | Art. no. LI2617.0002-03



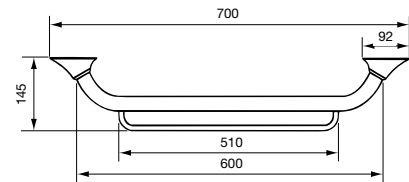
Toilet roll holder single-hand | Art. no. LI2618.0006-02



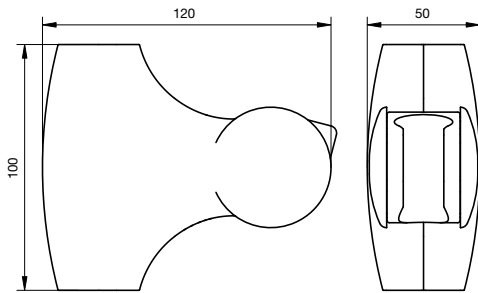
Towel rail S | Art. no. LI2637.001x-xx



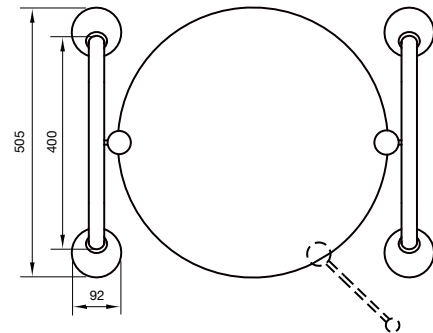
Towel rail L | Art. no. LI2637.002x-xx



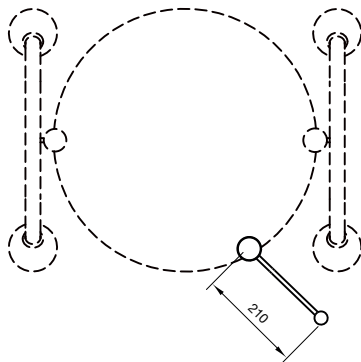
Shower head holder | Art. no. LI2630.2006-xx



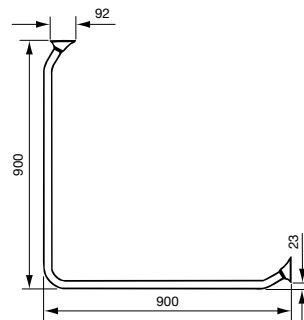
Hardware for tilting mirror | Art. no. LI2642.001x-xx



Handle for tilting mirror | Art. no. LI2642.0022-xx

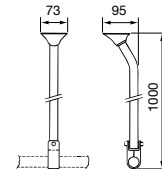


Shower curtain rail | Art. no. LI2641.000x-xx



Ceiling mounting set

Art. no. LI2641.1003-xx

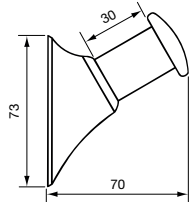


Technical drawings

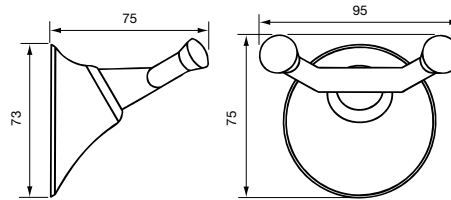
All measurements are in mm. For complete article numbers, please consult the Order information document.

Bathroom accessories

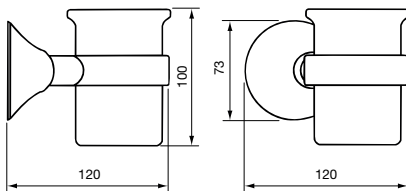
Robe hook single | Art. no. LI2636.0006-xx



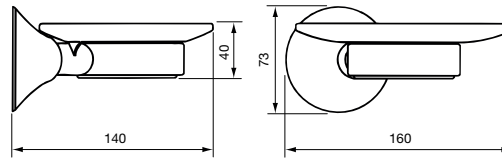
Robe hook double | Art. no. LI2636.0016-xx



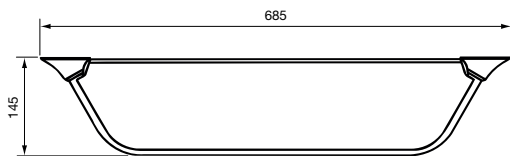
Toothbrush holder | Art. no. LI2632.0006-xx



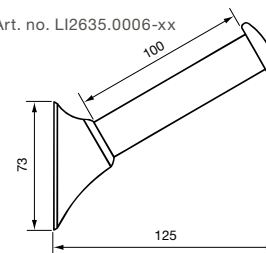
Soap dish | Art. no. LI2633.0006-xx



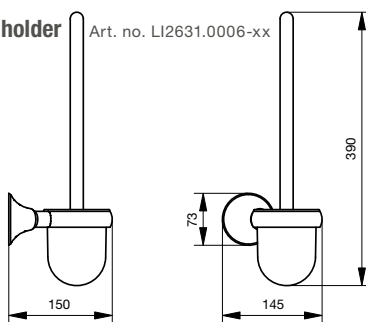
Shelf | Art. no. LI2634.000x-xx



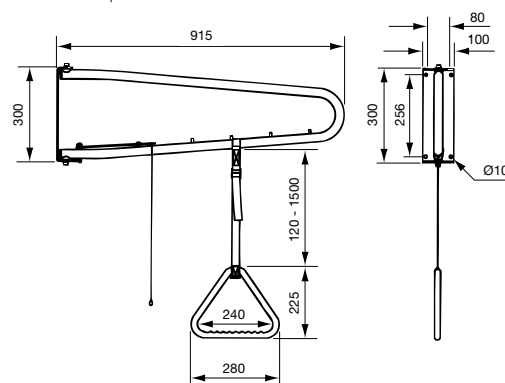
Spare toilet roll holder | Art. no. LI2635.0006-xx



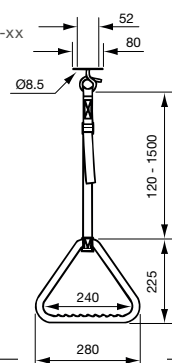
Toilet brush and holder | Art. no. LI2631.0006-xx



Swinging support | Art. no. LI2613.000x-xx



Ceiling support | Art. no. LI2612.000x-xx



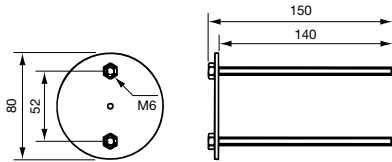
Technical drawings

All measurements are in mm. For complete article numbers, please consult the Order information document.

Mounting equipment

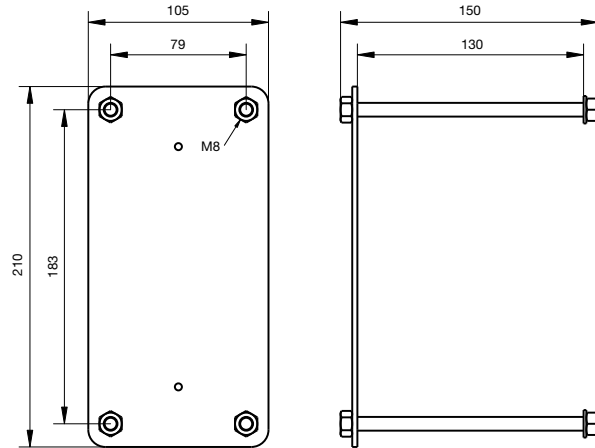
Backing plate round

Art. no. LI0126.5034-02



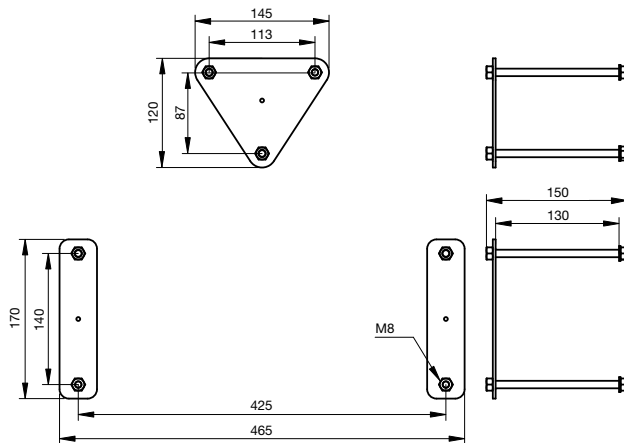
Backing plate rectangular

Art. no. LI0126.5014-02



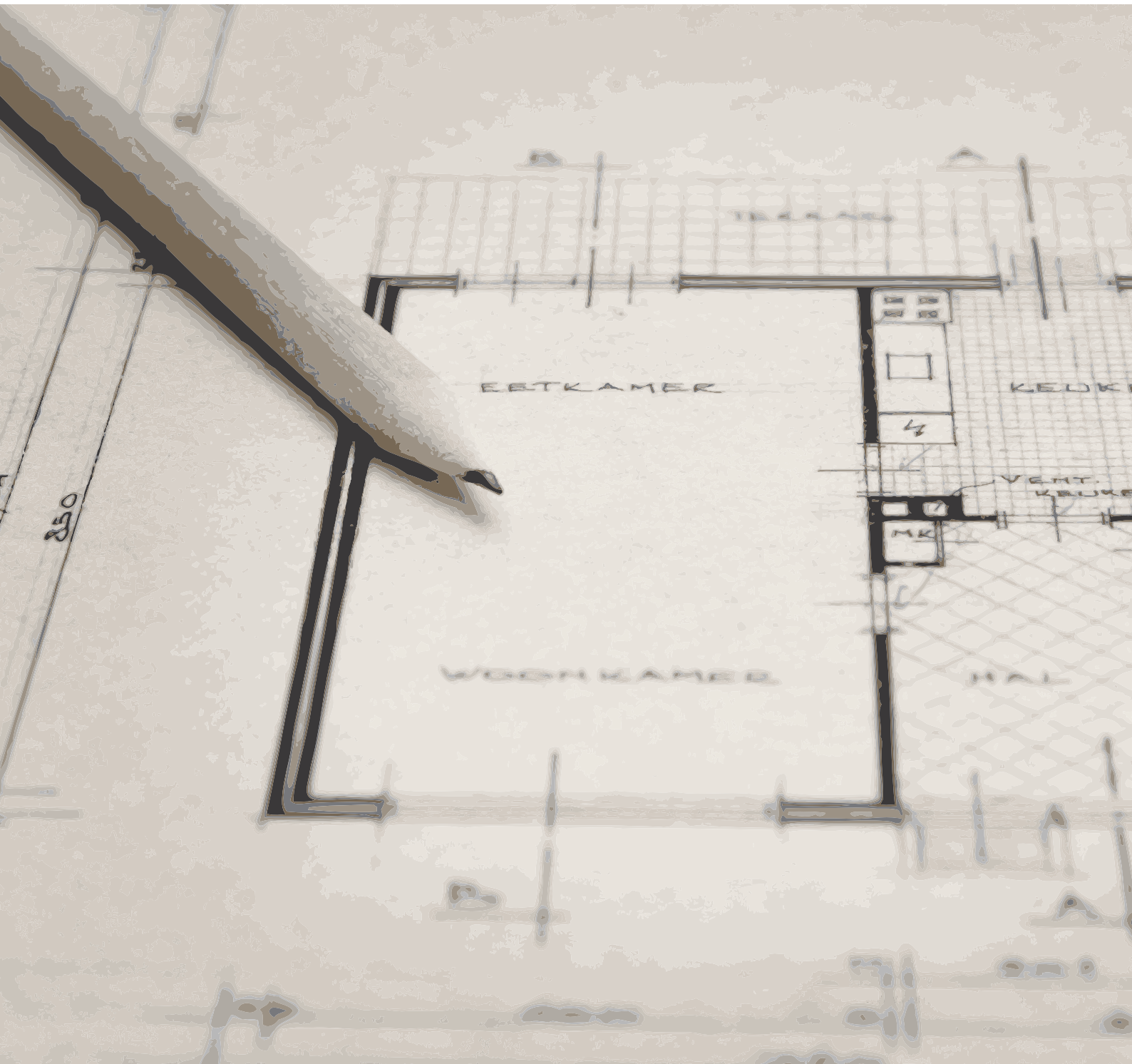
Backing plates set

Art. no. LI0122.5084-02



Inspiration for adaptation projects

No bathroom adaption is quite like any other. Different types of bathrooms have different priorities, possibilities and challenges and, of course, the users of the bathroom always have their own specific needs and requirements which must be considered in the planning process. Handicare's LinidoSolutions™ range offers a wide choice of safe and comfortable assistive devices and accessories; products that can be supplied in several materials and colours and that can be combined in an endless number of ways to create the optimal solution for every single bathroom. On the following pages you will find examples of three different types of bathrooms which could serve as a source for inspiration. Contact us for more information or for support in the planning process. We have the experience and the know-how, and we are always happy to provide suggestions and advice. After all, we all benefit from great adaptation solutions that will last for many years.



Safety and comfort in private bathrooms



1

2

4

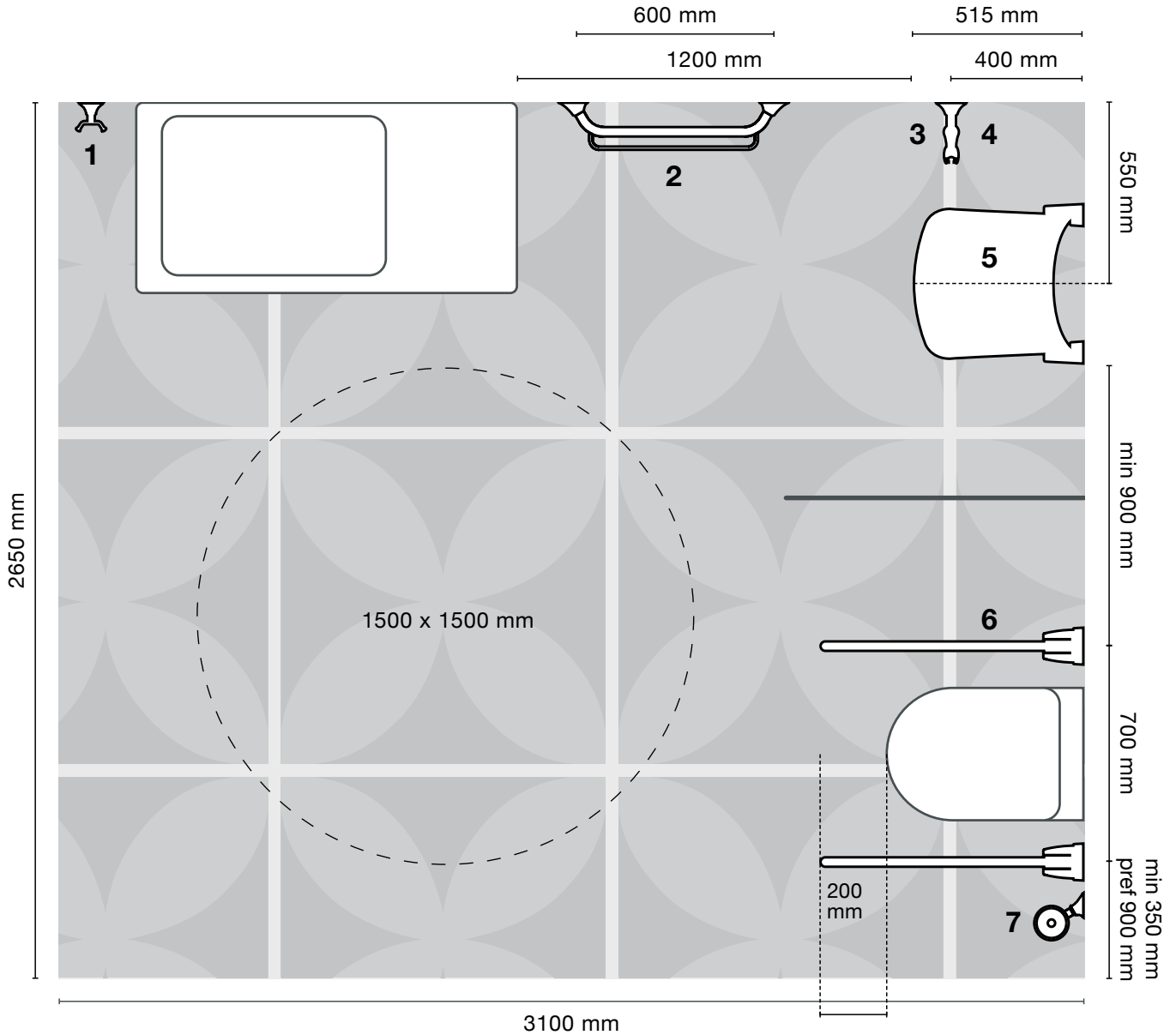
GEMINO

Living independently and autonomously is important to everyone. And just like everyone else, people with physical impairments would like to continue to live in their own home and familiar environment, surrounded by close family members, for as long as possible. Whether the needed adaptations to the living environment are slight or substantial, people will obviously prefer the assistive devices to blend in nicely with the rest of the interior, creating a harmonic environment.



Private bathrooms

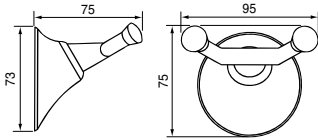
Slight adaptations to the bathroom can mean a world of difference for users.



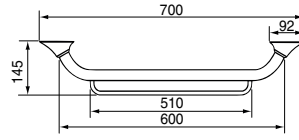
For proper functionality, specific details, like allowing sufficient distance between the wall and a bracket to ensure a better grip, must be observed. The overall make-up of the household should also be considered. For example, shower seats should fold up to require less space and shower head holders should be easily height adjustable, making the bathroom ideal for all users of it.

! Always check and consult the construction and rebuilding guidelines and directives issued by your national authorities. Any dimensions stated here are not binding and no rights derive from this example.

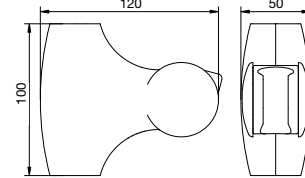
1 Robe hook double
Art. no. LI2636.0016-03



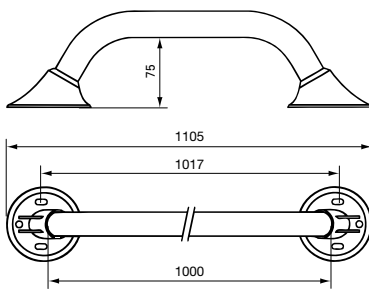
2 Towel rail L
Art. no. LI2637.0022-03



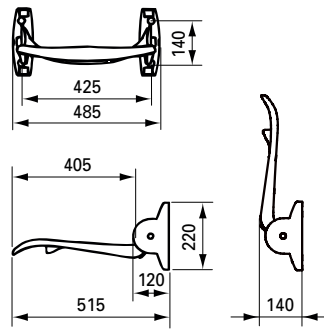
3 Shower head holder
Art. no. LI2630.2006-03



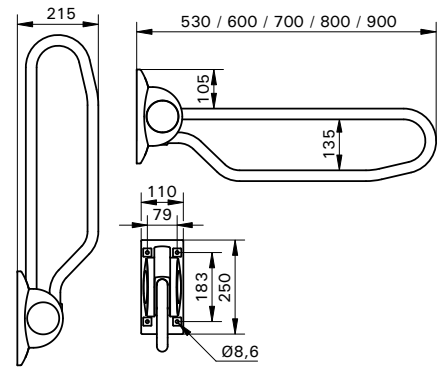
4 Ergogrip 1000
Art. no. LI2611.1002-03



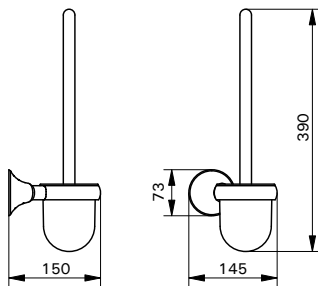
5 Ergonomic shower seat
Art. no. LI2201.2006-03



6 Hinged arm support 800
Art. no. LI2603.3802-03



7 Toilet brush and holder
Art. no. LI2631.0006-03



GEMINO 30

Handicare's award-winning rollator sets new standards in quality, safety, comfort and design. Many different models, sizes, colours and accessories are available. Please visit www.handicare.com for more information.



The challenge of resident's bathrooms

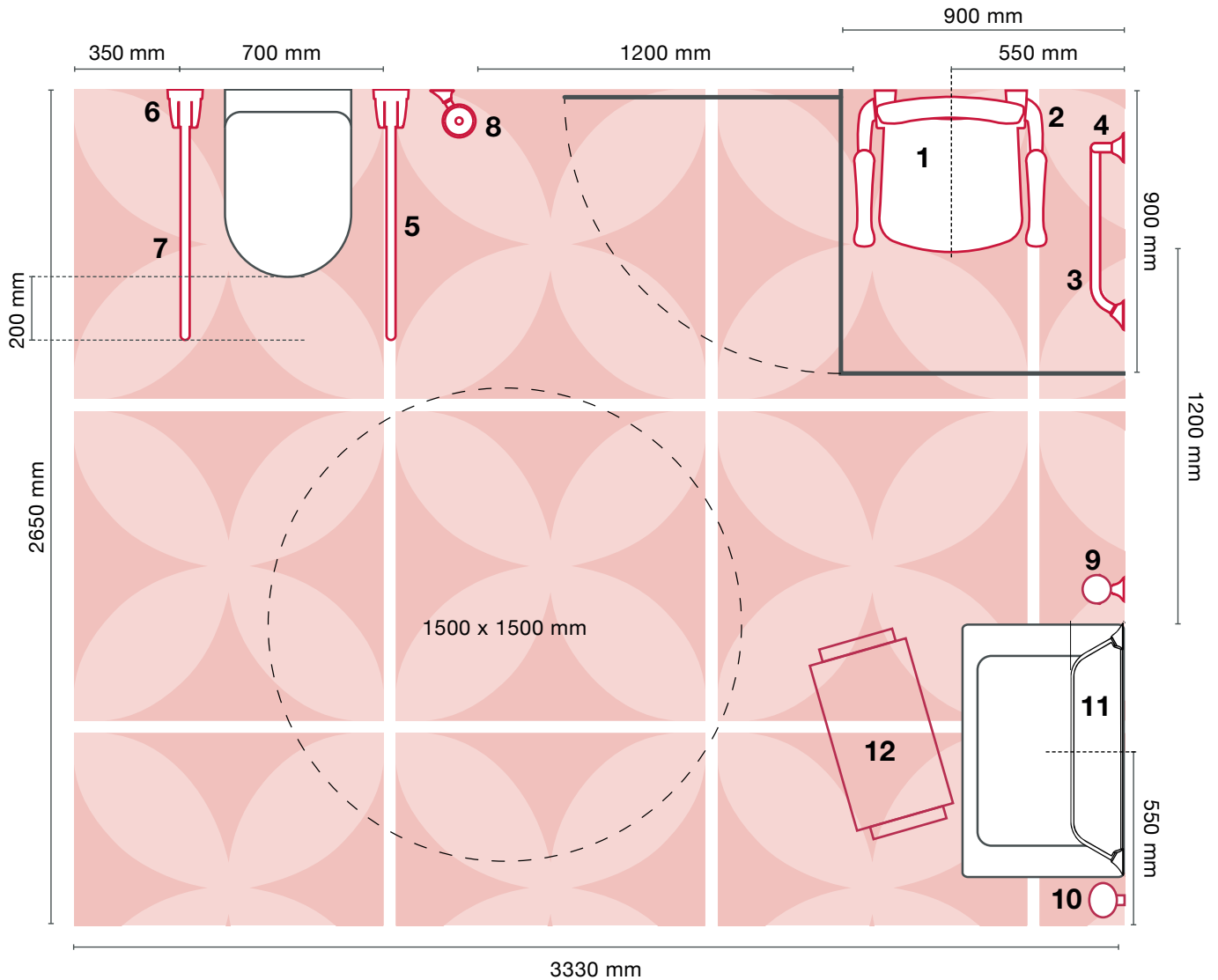


Working on large-scale building projects is exciting and challenging as the objective is to find a solution that offers the right balance between customer wishes and end user needs, not to mention the available budget. Rapidly growing segments such as housing for the elderly and customized housing for people with physical impairments include even further requirements as the specific users often live in such housings for a relatively short time, after which the next resident takes over. And since all residents have their own specific needs, it must be possible to deliver the right solution for every new resident.



Resident's bathrooms

Adaptations using versatile and adjustable assistive devices provide for the requirements of many users.



A long term solution providing customized ergonomic support for different residents can be achieved with height adjustable bathroom safety equipment. Most LinidoSolutions™ products are available in several different colours as well as in polished stainless steel. This allows both for meeting of various colour or design theme requirements and for keeping the interior as neutral as possible.

Always check and consult the construction and rebuilding guidelines and directives issued by your national authorities. Any dimensions stated here are not binding and no rights derive from this example.

EasyBelt™ SystemRoMedic™

Handicare's SystemRoMedic™ EasyBelt provides support for sit-to-stand and sitting transfers from the wheelchair to the bed, toilet or car as well as for standing and walking. The classic model features an anti-slip inside of moisture repellent, PU-coated nylon and can therefore be used in environments where moisture and dampness are present or when there are special hygiene requirements. EasyBelt is also available in a wipeable material which can be cleaned using disinfectants. Please visit www.handicare.com for more information.

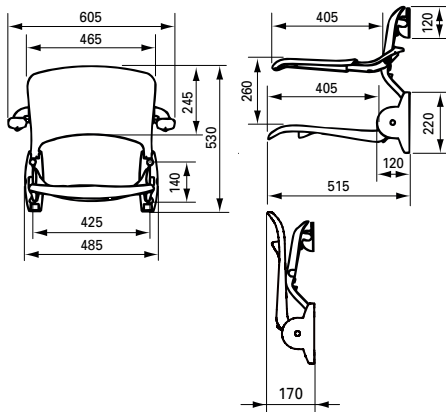


EasyBelt

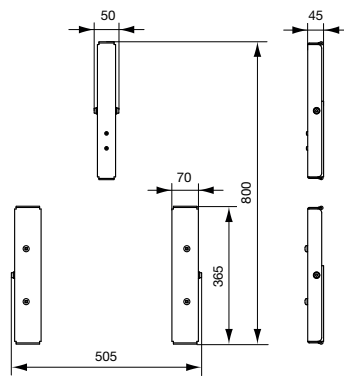


EasyBelt, wipeable

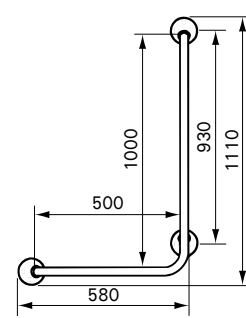
1 Ergonomic shower seat
Art. no. LI2203.2006-02



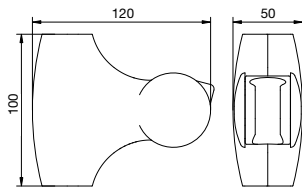
2 Height adjustment system
Art. no. LI2215.1024-02



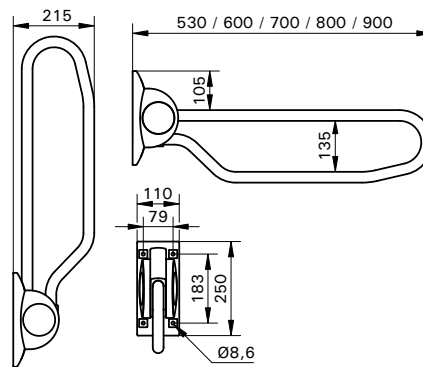
3 Ergogrip 90 right S
Art. no. LI2611.0044-02



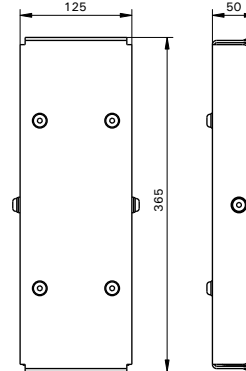
4 Shower head holder
Art. no. LI2630.2006-02



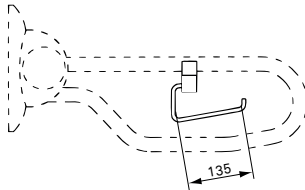
5 Hinged arm support 800
Art. no. LI2603.3804-02



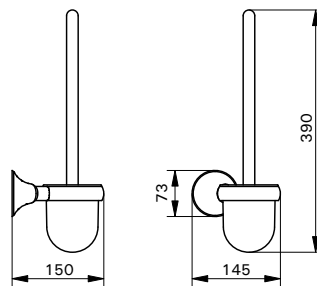
6 Height adjustment system
Art. no. LI2615.3004-02



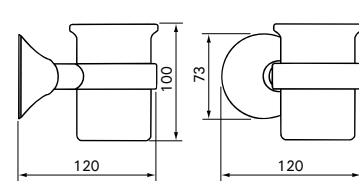
7 Toilet roll holder
Art. no. LI2617.0002-03



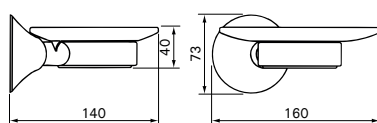
8 Toilet brush and holder
Art. no. LI2631.0006-02



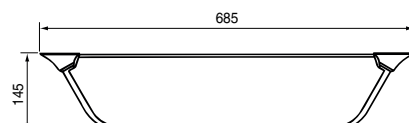
9 Tooth brush holder
Art. no. LI2632.0006-02



10 Soap dish
Art. no. LI2633.0006-02



11 Shelf
Art. no. LI2634.0004-02

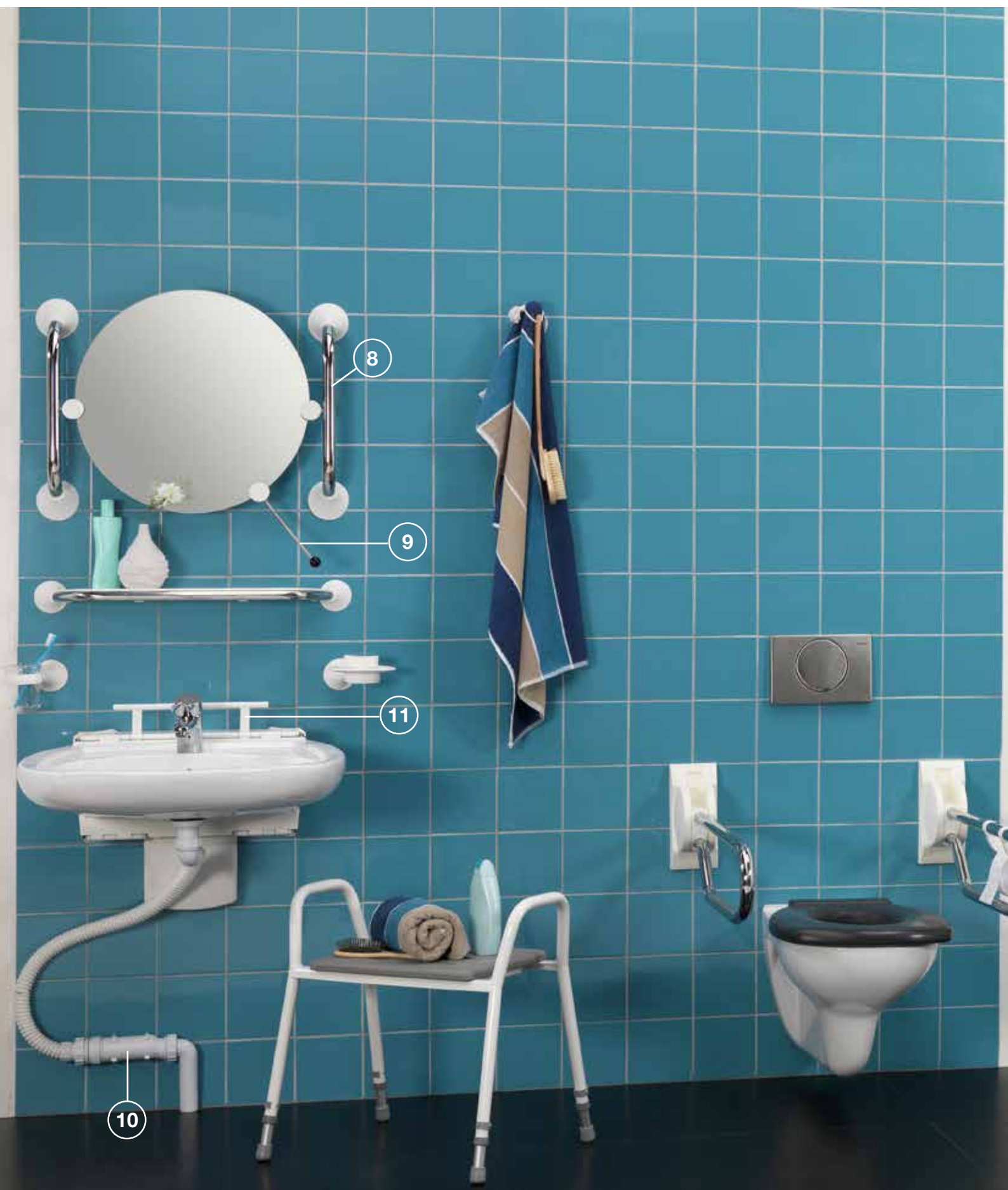


12 Shower stool soft seat



Handicare's bathroom safety range also includes this shower stool and many other models and variants of static and mobile commode/shower stools and chairs. Please visit www.handicare.com for more information.

Functional institutional bathrooms

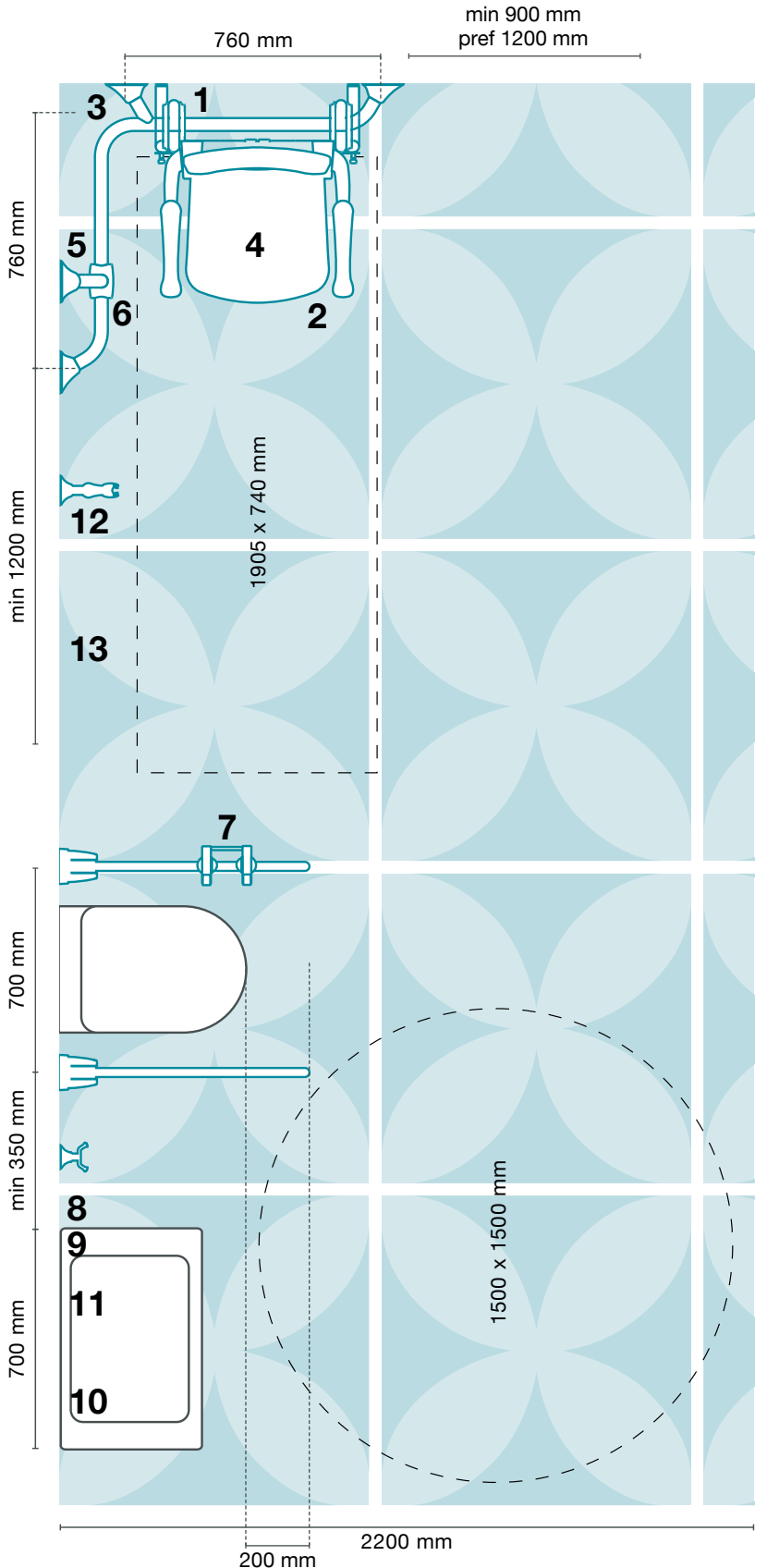


A wet room intended for general usage has some very specific requirements set on it but all too often these sanitary rooms, and specifically the toilet rooms, have been designed to be much too small. Furthermore, the minimum manoeuvring space needed for using various assistive devices is often not sufficiently taken into consideration. For all the wrong reasons, these rooms tend to have a very low priority compared to other functional rooms. To be able to design accessible, sustainable and functional sanitary rooms which are both logically located within the building and organized to provide comfort and safety, these rooms must be included in all the plans, from the very first moment.



Institutional bathrooms

Assistive devices should be durable, but also safe and comfortable, supporting both the user and the caregiver.

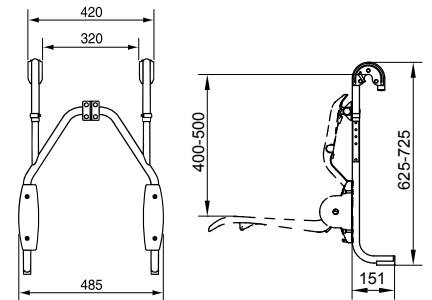


A good estimate of which target groups are going to use the facilities is important for successful design of institutional bathrooms. The needs and requirements will differ, and the supply and design of sanitary rooms will vary, depending on the type of building and its functions. Handicare's LinidoSolutions™ range offers a wide choice of assistive devices ideal for functional bathrooms where the freedom to move and a good finish are of the essence.

- Always check and consult the construction and rebuilding guidelines and directives issued by your national authorities.
- Any dimensions stated here are not binding and no rights derive from this example.

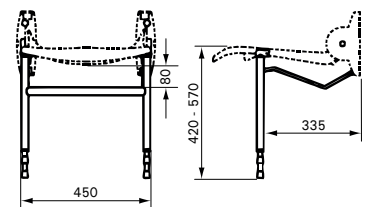
1 Click-on frame

Art. no. LI2216.0024-02



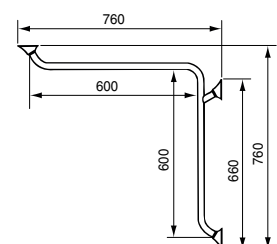
2 Floor support for Ergonomic shower seat

Art. no. LI2214.2014-02

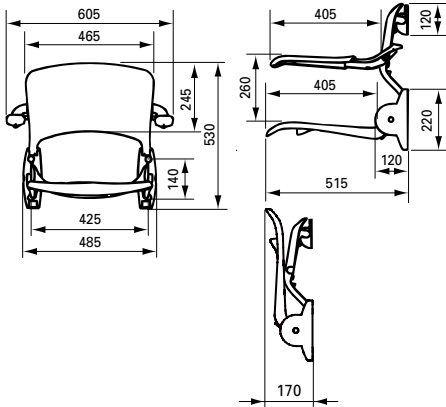


3 Ergogrip corner S

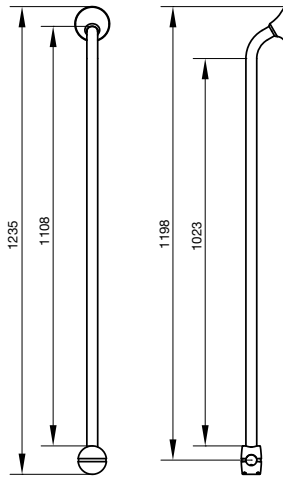
Art. no. LI2611.0152-00



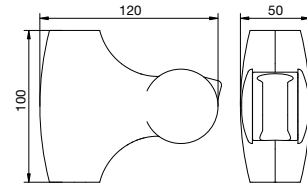
4 Ergonomic shower seat
Art. no. LI2203.2006-02



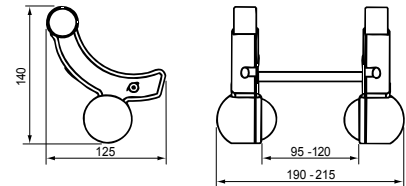
5 Ergogrip combination rail S
Art. no. LI2611.0182-02



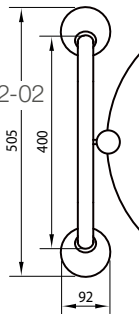
6 Shower head holder
Art. no. LI2630.2006-02



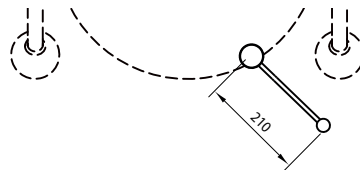
7 Toilet roll holder single-hand
Art. no. 2618.0006-02



8 Hardware for tilting mirror
Art. no. LI2642.0012-02



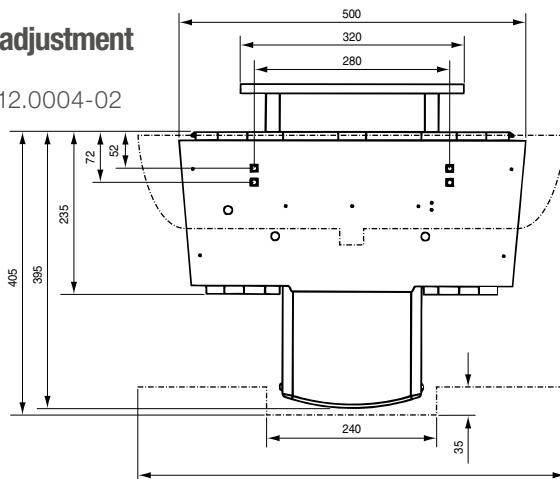
9 Handle for tilting mirror
Art. no. LI2642.0022-02



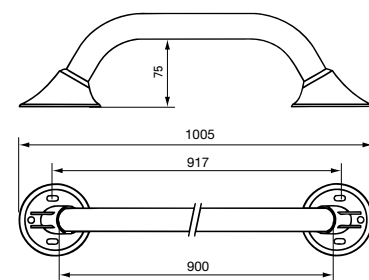
10 Flexible Supply and drain set
Art. no. LI3013.0000-00



11 Washbasin adjustment system
Art. no. LI3012.0004-02



12 Ergogrip 1000
Art. no. LI2611.1002-00



13 RiseAtlas™
SystemRoMedic™



SystemRoMedic™ - Rail systems for permanent installation and as freestanding lift stands

A stationary lifting solution, consisting of a lift unit mounted either on a permanently installed rail system or on a freestanding rail system, is an ergonomically ideal alternative that eliminates the need for manual lifting and allows the caregiver to always choose the optimal working stance. Furthermore, the lift system is always in place, it requires a minimum of floor space and it is very easy to manoeuvre. Another advantage is that the system provides a large lifting area and the possibility of both low and very high lifting.

Handicare's SystemRoMedic™ range includes stationary lift systems both for permanent installation on the ceiling and/or on the walls and as freestanding lift stands. We also have a wide selection of ceiling lift units for all situations, settings and users.

Please visit www.handicare.com for more information.

General product information

Technical information

LinidoSolutions™ products are mainly manufactured from steel or stainless steel tubes. The products are finished with a high quality epoxy coating. Most coated and plastic LinidoSolutions™ products are available in five different colours (at no additional cost) and in polished stainless steel. For exact item numbers, consult the Order information document.

Custom made products

For information about special sizes and designs of our products, please contact Handicare AB or your local Handicare and LinidoSolutions™ partner.

Materials



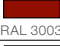




- coated steel
- coated stainless steel 304 (recommended for frequent use in institutions)
- polished stainless steel 304 (recommended for frequent use in institutions)
- glass fiber reinforced nylon

Material specifications

- steel ST37.2, DIN 17100, Ø 28,6 x 1,5 mm
- steel ST37.2, DIN 17100, Ø 25,4 x 1,5 mm
- stainless steel AISI 304, Ø 28,0 x 1,5 mm
- stainless steel AISI 304, Ø 25,4 x 1,5 mm
- stainless steel AISI 316, Ø 25,0 x 1,5 mm
- plastic shower seats: glass fibre reinforced nylon
- wall flanges/covers Ergogrip and wall plate hinged arm support: glass fibre reinforced nylon
- plastic bathroom accessories: PMMA
- wall plates of shower seats: stainless steel AISI 304

Moving and/or hinged parts are always made of stainless steel and/or plastic.

Colours

RAL 9010, White	 RAL 9010
RAL 9005, Black	 RAL 9005
RAL 3003, Red	 RAL 3003
RAL 5002, Blue	 RAL 5002
RAL 9001, Cream-white	 RAL 9001
Polished stainless steel with white covers	 STEEL
Polished stainless steel with black covers	 STEEL

Preparation for coating

Before coating, steel is alkaline de-greased, phosphated and passified.

Coating

Epoxy polyester, 80-100 µm thick. Weatherresistant and hardened (International Buchholz hardness test to DIN 53153: > 80). Meets salt spray test to DIN 50021/ASTM B117 (1000 hours, < 1mm).

Textile coverings

Textile coverings on shower seats and shower stretchers are made from a woven polyester with plastic coating. The material is stretched tightly, flush with the frame, and firmly attached (fully glued) around the tube to facilitate transfers and provide for good hygiene. The material is non-deformable but adapts to the body temperature during use. It is also very durable and easy to clean. The textile coverings are available only in neutral white colour.

Insulation sets

LinidoSolutions™ wall mounted and floor mounted products not featuring plastic flanges or wall plates are always supplied with the corresponding insulation sets for electrical insulation and covering of fixing points.

Fixing materials

Except for some of the bathroom accessories, LinidoSolutions™ products are, as standard, supplied without fixings. Always determine the wall type and use suitable fixings. For durable and reliable mounting, we recommend use of corrosion resistant fixing materials only.

Maintenance

For all products: Rinse the product with clean water after every use. Clean with mild, non abrasive cleaners only.

Warranty

Five years warranty on all LinidoSolutions™ products, except for: LI09506.400 Cushioned cover, for all models of Ergonomic shower seat (one year warranty)

The warranty is only valid for normal use of the products in their original state, without modifications.

CE All LinidoSolutions™ safety products are CE-marked and many are patented. All LinidoSolutions™ products comply with the requirements of the directives for medical-technical Class 1 products (MDD 93/42/EEC) and with EN 12182.

Weight limits for normal use

Grab rails

Max. user weight: 150 kg

Hinged arm support / Fixed arm support

Max. user weight: 150 kg
Max. sideways load: 100 kg

Shower seats

Max. user weight: 150 kg
Max. user weight for shower seats in combination with floor supports: 300 kg
Max. load per armrest: 75 kg

Shower stretchers

Max. user weight: 150 kg

Swinging support / Ceiling support

Max. user weight: 150 kg

All dimensions in this brochure are in mm. Tolerances for all indicated dimensions are ± 5 mm. Handicare reserves the right to modify designs as part of our ongoing product development.





General product information

Mounting advice

For hinged and fixed arm supports, shower seats, floor consoles, height adjustment systems and swinging supports		
Type of wall	Suitable plugs	Suitable screws
Solid concrete, natural stone, solid red brick, sand-lime brick	Fischer Universalplug UX 10 art. 77869	Stainless steel hexagon head wood screws 8 mm
Solid/massive aerated concrete (Ytong, Durox), plaster block, pumice solid brick	Injection mortar + threaded rod. Possible mortars to use are: - FIS VS 150 C set art. 45302 or FIS VS 150 C art. 0509 - Fischer threaded rod M8	Stainless steel threaded rod M8
Perforated/hollow Hollow brick (Poriso), Hollow sand-lime brick	Injection mortar + anchor sleeve + screw inserts Possible mortars to use are: - FIS VS 150 C set art. 45302 or FIS VS 150 C art. 0509 - Fischer anchor sleeve FIS HK 14x70K art. 50436 - Fischer screw insert FIS E 8x85K art. 58050	Stainless steel hexagon head wood screws 8 mm
Plaster board, squeezed fibreboard, chipboard	Reinforce the wall, e.g. with plywood	Stainless steel hexagon head wood screws 8 mm
Concealed tank and carrier system, like Geberit, Wisa	Reinforce the wall, e.g. with solid water plywood, thickness 32 mm	Stainless steel hexagon head wood screws 8 mm

For grab rails, backrests, shower stretchers, washbasin rails and ceiling supports		
Type of wall	Suitable plugs	Suitable screws
Solid concrete, natural stone, solid red brick, sand-lime brick	Fischer Universal UX 8 art. 77869	Stainless steel hexagon head wood screws 6 mm
Solid/massive aerated concrete (Ytong, Durox), plaster block, pumice solid brick	Injection mortar + threaded rod. Possible mortars to use are: - FIS VS 150 C set, art. 45302 or FIS VS 150 C art. 0509 - Fischer threaded rod M6	Stainless steel threaded rod M6
Perforated/hollow Hollow brick (Poriso), Hollow sand-lime brick	Injection mortar + anchor sleeve + screw inserts Possible mortars to use are: - FIS VS 150 C set art. 45302 or FIS VS 150 C art. 0509 - Fischer anchor sleeve FIS HK 12x60K art. 50432 - Fischer screw insert FIS E 6x75K art. 58049	Stainless steel hexagon head wood screws 6 mm
Plaster board, squeezed fibreboard, chipboard	Reinforce the wall, e.g. with plywood	Stainless steel hexagon head wood screws 6 mm
Concealed tank and carrier system, like Geberit, Wisa	Reinforce the wall, e.g. with solid water plywood, thickness 32 mm	Stainless steel hexagon head wood screws 6 mm

 This mounting advice is a recommendation only. Suitable mounting methods and equipment must be determined at site and according to the type of wall.

 Handicare is not responsible for any inexpert mounting of products and the possible damage as a result of that.

Experience the comfort of a safe bathroom

LinidoSolutions™ is Handicare's own brand product series for increased independence, safety and comfort in bathrooms, showers and toilet areas, both in private and public environments. The philosophy behind LinidoSolutions™ is to offer each user ergonomic support, comfort and as independence as possible during bathing, showering or toileting, whilst also providing for the convenience and safety of the caregiver. In order to allow the users to experience the comfort of safety every day, our product development is based on five principles: safety, practicality, durability, ergonomics and design.



About LinidoSolutions™

Safety

LinidoSolutions™ does not only offer a comprehensive choice. We also guarantee that our products meet stringent requirements with regard to strength as well as to high weight limits. You can trust our products.

Practicality

The LinidoSolutions™ products are extensively tested for their functionality. They are designed to provide exactly the support that the end user needs e.g. when rising up from a toilet or to be able to sit down when showering. Many of them are easily adjustable to enable the perfect fit for each user. All of our products are also very easy to install and keep clean.

Durability

In the bathroom and in other wet environments, products are often exposed to demanding conditions such as moisture, cold and heat. Chemical pre-treatment using epoxy coating as well as stainless steel and plastic (glass fibre reinforced nylon) materials guarantee a long lasting service life for LinidoSolutions™ products.

Ergonomics

Different ergonomic aspects like seat height, -width, -depth, -angle and arm-rest shape are important factors in the design of Handicare's LinidoSolutions™ products. Therefore our product development is based on the dimensions and natural movements of the human body.

Design

Much time and attention is dedicated to the design of our products. We use constructions, shapes, materials and surfaces offering hygienic advantages as well as an attractive, modern look. Fixing points are concealed and different colour options allow bathrooms to be arranged to suit the individual user's style and taste.



LinidoSolutions™ is a wide range of safe, practical, durable and ergonomic aids with modern design; products and accessories creating accessible, safe and, in addition, great looking bathrooms. With LinidoSolutions™, everyone can experience the comfort of safety every day.



More information and support

Handicare's LinidoSolutions™ range offers a wide choice of products that can be supplied in several materials and colours and that can be combined in an endless number of ways to create the optimal solution for every single bathroom. Many of our products can also be supplied in customized sizes and designs. For more information, or for support in the planning process, please contact us or your local Handicare and LinidoSolutions™ partner. Contact details can be found on our website, www.handicare.com.

www.handicare.com

On our international website you can always find more detailed product information, images, technical drawings, user manuals and other documentation. The website also includes up-to-date contact information for all Handicare and LinidoSolutions™ partners.

Architect service

Via our website you can also access our Architect service tool which provides high-resolution images, technical drawings, 3D-images, specifications and CAD-files for downloading.



Order information

Our products are available in many different materials and colours. The complete article numbers for all available variants of all LinidoSolutions™ products can be found in the Order information document which can be downloaded from our website, www.handicare.com.

Accessible, safe and great looking bathrooms

LinidoSolutions™ is Handicare's own brand product series for assistive devices designed to provide ergonomic support, comfort and increased independence for the user in various bathing, showering and toileting situations, whilst also providing for the convenience and safety of the caregiver. Whether you live independently, live or work in an institution or have a minor or major physical disability; for all people with their own demands and wishes, LinidoSolutions™ offers a wide range of safe, practical, durable and ergonomic aids with modern design; products and accessories creating accessible, safe and, in addition, great looking bathrooms. LinidoSolutions™ is equally suitable and functional in all environments, from smaller private homes to public environments and major hospitals. With LinidoSolutions™, everyone can experience the comfort of safety every day.

Designed and produced by Handicare

With more than 75 years of experience, until 2010 under the name of Linido, Handicare is a specialist in the bathroom safety field. Producing assistive devices you can trust, that are doing what they promise and which give you pleasure for a long time - that is our profession and our passion.

Handicare offers solutions and support to increase the independence of disabled or elderly people as well as to improve the convenience of those who are caring for them.

The Handicare Group is one of the leading healthcare companies in Europe with its own manufacturing organizations and sales companies in Norway, Sweden, Denmark, Germany, the Netherlands, Great Britain, France, China, Canada and the USA. Handicare's products are also distributed by partners in more than 40 countries worldwide. Our wide range of high-quality products includes a complete easy transfer system and other patient handling aids, stairlifts, car adaptations, rise- and recline chairs, and bathing and toileting products.



handicare

Torshamnsgatan 39,
164 40 Kista, Sweden
Tel: +46 (0)8-557 62 200 • Fax: +46 (0)8-557 62 299
www.handicare.com • info@handicare.se